

Print Number:

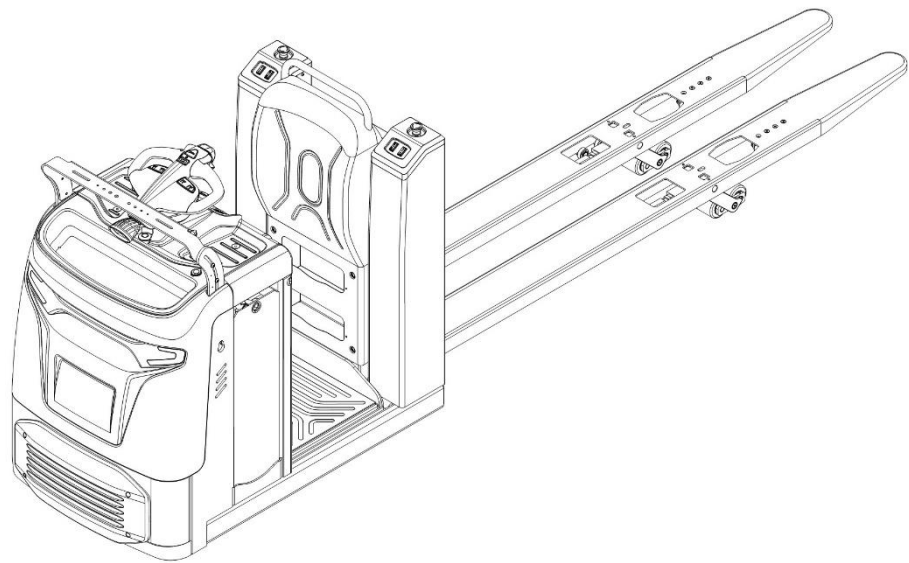
Print Date:

Low Lift Order Picker

OPL25N

Parts Manual

566546020106



Version V06

Truck Identification Number From:

Parts Manual OPL25N-PM06EN

Please order spare parts from authorized dealers of our Company.

In order to avoid wrong delivery, all the orders for spare parts should specify the following items:

- Truck model, identification number and manufacture year.
- Orders for spare parts of mast, hydraulic transmission unit, steering axle, motor, etc. shall indicate the manufacture number of these parts.
- Codes for Our Company spare parts are shown in the table of parts manual. Please also pay attention to the description of supply status, order quantity, etc. (check the number listed in "Mark" column of the parts manual).

"Mark" Column:

The unmarked indicates the parts are in short supply cycle.

Number 1: supply as package. Indicating these that parts are small parts and seal parts, which are supplied in package unit and in short supply cycle.

Number 2: supply with constraints. Indicating that these spare parts are not in stock and will be prepared for production after receiving the order from customers, which are in long supply cycle.

Number 3: phasing-out supply. Indicating that these parts will be replaced by new parts due to technical improvements and the current stock will not be available when these parts run out. Please check the description of technical improvements notice.

Number 4: supply as assembly. Indicating that these parts are assembly parts defined by manufacture process, which cannot be supplied as a single part.

Number 5: check other tables.

This parts manual is the property of Our Company and can be shared under the confidential agreement only, Our Company has the right to claim for compensation of any unauthorized use. Copy without permission is not allowed. Figures in the manual are not limited by the original design. our Company reserves the right to improve the products for continuous technology progress.

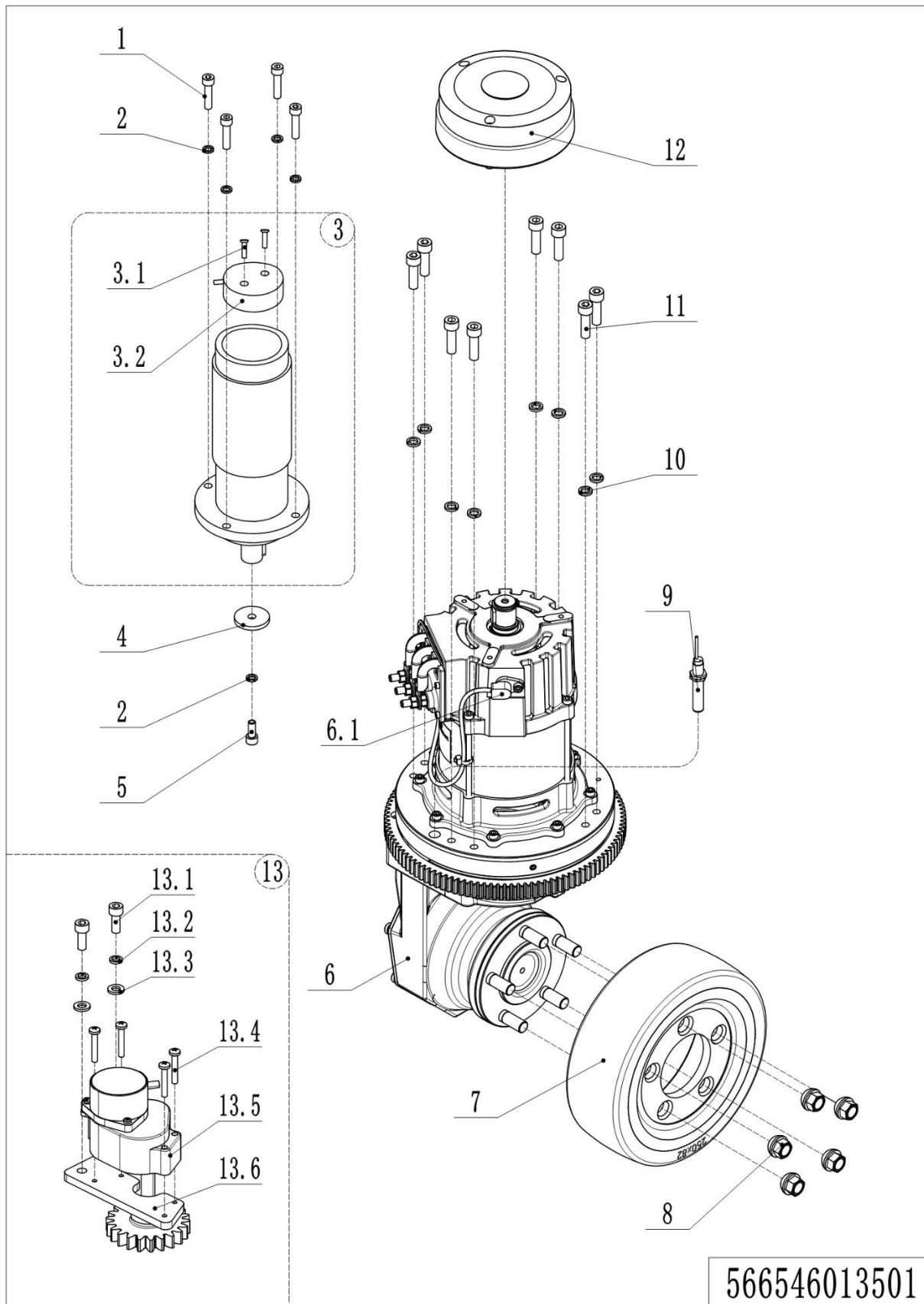
Table of Contents

Chapter 1: Drive system	1
01 Drive unit (566546013501).....	1
Chapter 2: Hydraulic system.....	3
01 Hydraulic assembly (566546024001)	3
02 Hydraulic unit (566546024002).....	5
03 Hydraulic assembly (566546024501)	7
04 Hydraulic unit (566546024502).....	9
Chapter 3: Truck Frame	11
01 Chassis (566546021501).....	11
02 Chassis (566546021502).....	15
03 Cover (566546021504)	19
04 Platform (566546018001).....	21
05 Platform (566546018002).....	25
06 Caster (566546016501).....	29
07 Fork carriage (566546038501).....	31
08 Other options (566546021505).....	37
Chapter 4: Steering system, braking system, wheels	39
01 Operating panel (566546010001)	39
02 Control Handle (566546010002)	43
Chapter 5: Electrical parts.....	45
01 Electronic control components (566546033001).....	45
02 Wiring Harness (566546033002).....	49
03 Electronic control components (566546033003) 20 CE Platform lifting	51
04 Wiring Harness (566546033004) 20 CE Platform lifting	55
05 Electronic control components (566546033005) 20 CE Platform lifting	57
06 Wiring Harness (566546033006) 20 CE.....	61
07 Charger (566546036501).....	63
08 Traction Battery (566546037001).....	65
Chapter 6: Others	67
01 Labels and decals (US) (566546047001).....	67
02 Labels and decals (EU) (566546047002).....	69
Appendix.....	71
01 Electrical Circuit Diagram - standard (566546045501).....	71
02 Electrical Circuit Diagram - optional (566546045502)	72
03 Electrical Circuit Diagram – standard (Lithium battery) (566546045505) 20 CE.....	73
04 Electrical Circuit Diagram – optional (Lithium battery) (566546045506) 20 CE	74
05 Electrical Circuit Diagram – standard (Lead-acid battery) (566546045509) 20 CE.....	75
06 Electrical Circuit Diagram - optional (Lead-acid battery) (566546045510) 20 CE.....	76
07 Hydraulic Circuit Diagram - standard (566546045507)	77
08 Hydraulic Circuit Diagram - optional (566546045508).....	78
09 Consumable Parts List	79



Chapter 1: Drive system

01 Drive unit (566546013501)

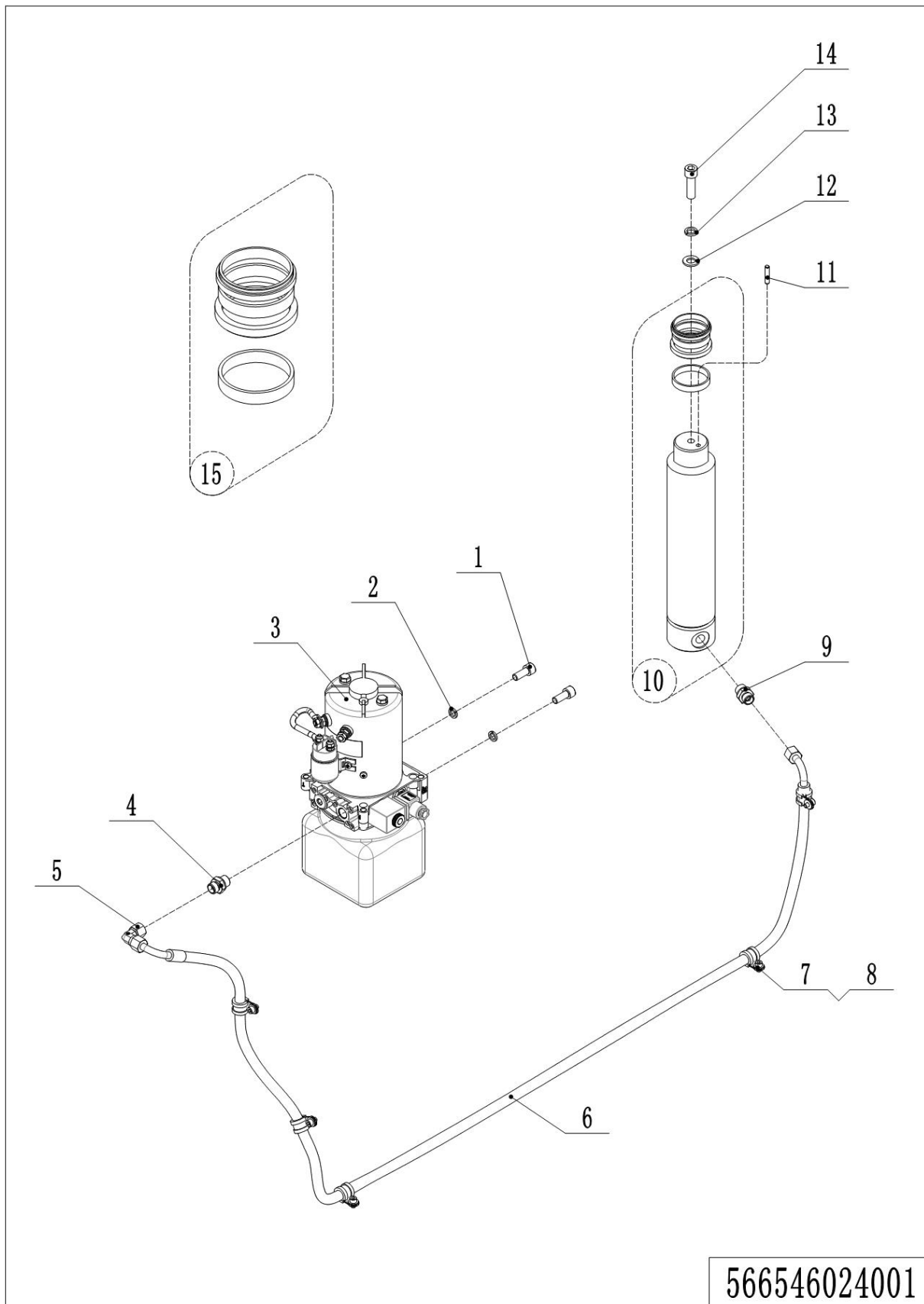


01 Drive unit (566546013501)

No.	Item Code	Mark	Item Description	Qty.	Substitute	Note
1	910200200059	1	Screw	4		
2	910400500006	1	Spring Washer	5		
3	920900100050		Motor	1		
3.1	567498520007	1	Screw	2		
3.2	567498520006	2	Encoder	1		
4	506013520001		Baffle	1		
5	910200200057	1	Screw	1		
6	940900600004		Steering Unit	1		
6.1	505998510003	2	Speed Sensor	1		
7	940300400002		WheelΦ250x82	1		
8	275015520005		Nut	5		
9	565933510001		Proximity Switch	1		
9	566533510002		Proximity Switch	1		20 CE
10	910400500007	1	Spring Washer	8		
11	910200200077	1	Screw	8		
12	566511510000		Brake	1		
13	566598510006		Potentiometer Kit	1		20 CE Optional
13.1	910200200035	1	Screw	2		
13.2	910400500005	1	Spring Washer	2		
13.3	910400100005	1	Flat Washer	2		
13.4	910200500027	1	Screw	4		
13.5	921800100056		Potentiometer	1		
13.6	566533520000		Mounting plate	1		

Chapter 2: Hydraulic system

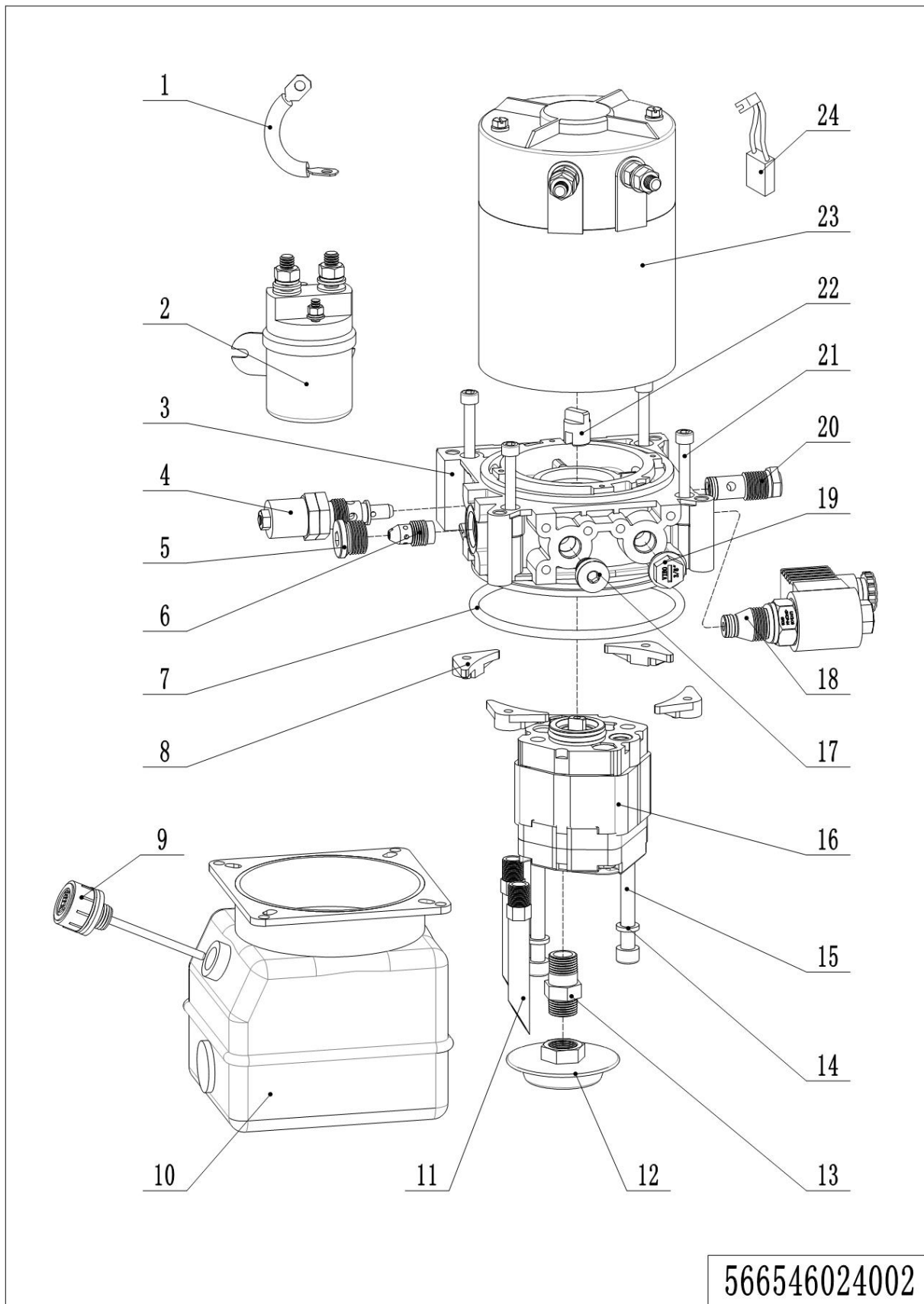
01 Hydraulic assembly (566546024001)



01 Hydraulic assembly (566546024001)

No.	Item Code	Mark	Item Description	Qty.	Substitute	Note
1	910200200076	1	Screw	2		
2	910400500007	1	Spring Washer	2		
3	950900100024		Pump Unit	1		
4	950400300007		Joint	1		
5	950400200003		Joint	1		
6	566524020001		Hydraulic Tube	1		
7	951000100003		Hose Clamp	5		
8	910200200032	1	Screw	5		
9	950400400003		Joint	1		
10	505724010001		Cylinder	1		
11	910600100016	1	Cylindrical Pin	1		
12	910400100008	1	Flat Washer	1		
13	910400500008	1	Spring Washer	1		
14	910200200100	1	Screw	1		
15	505798510001		Seal Kit	1		

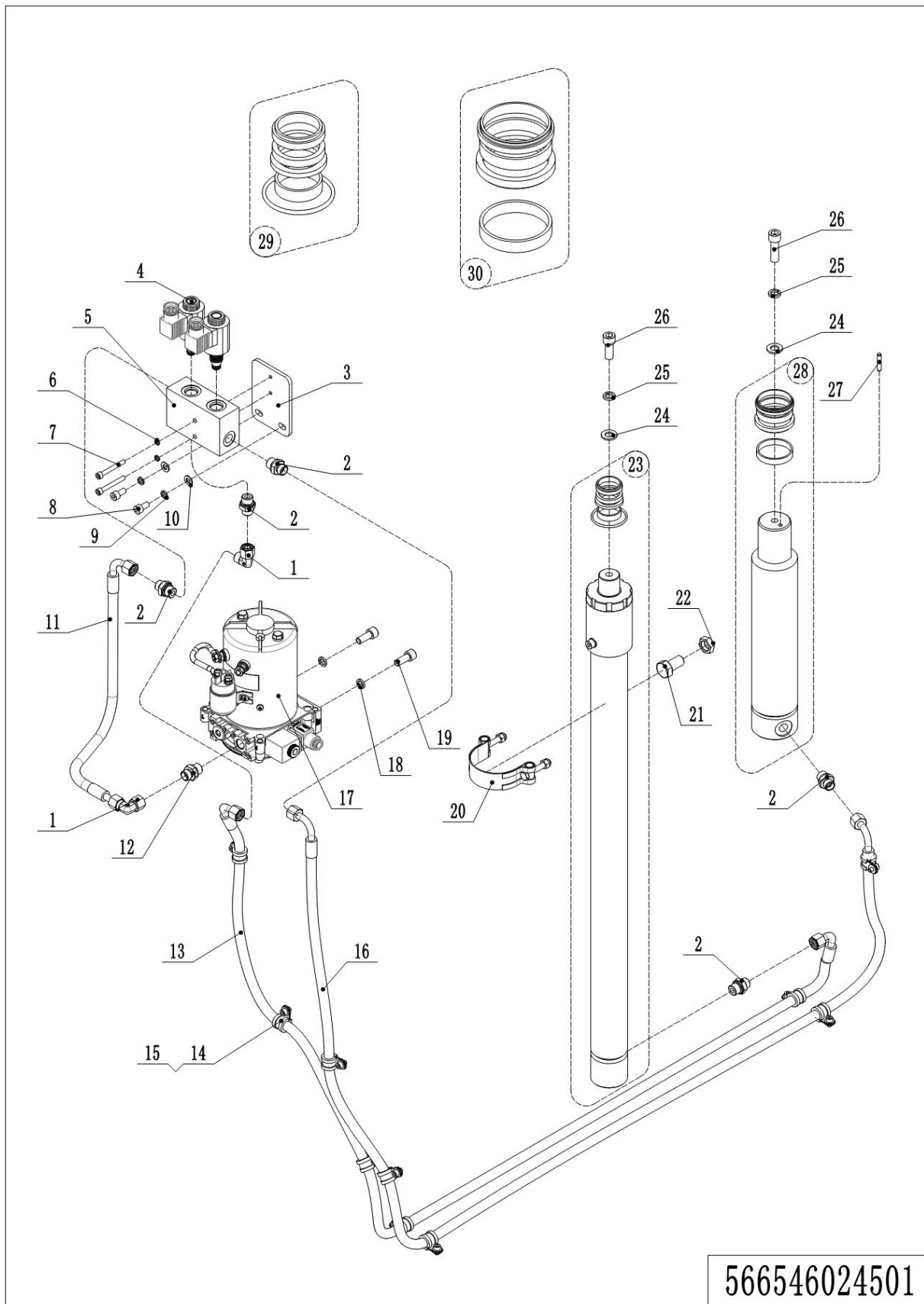
02 Hydraulic unit (566546024002)



02 Hydraulic unit (566546024002)

No.	Item Code	Mark	Item Description	Qty.	Substitute	Note
1	505798510004	2	Cables	1		
2	532098510002	2	Switch	1		
3	505798520005	2	Valve Block	1		
4	505798510007	2	Overflow Valve	1		
5	402698520020	2	Plug	1		
6	505798510006	2	Compensation Valve	1		
7	910800100088	2	O-Ring	1		
8	505798520008	2	Nut	4		
9	505698520047	2	Cap-Tank	1		
10	505798520009	2	Tank	1		
11	505798520012	2	Pipe	2		
12	402698520010	2	Filter	1		
13	505798520010	2	Oil Tube	1		
14	910400500006	2	Spring Washer	2		
15	910200200070	2	Screw	2		
16	532098510000	2	Gear Pump	1		
17	505798520014	2	End Cap	1		
18	532098510006	2	Magnetic Valve	1		
19	505798520015	2	End Cap	1		
20	505798510012	2	Check Valve	1		
21	910200200042	2	Screw	4		
22	505798520018	2	Coupling	1		
23	532098510001	2	Motor	1		
24	505798510013	2	Carbon Brush	4		

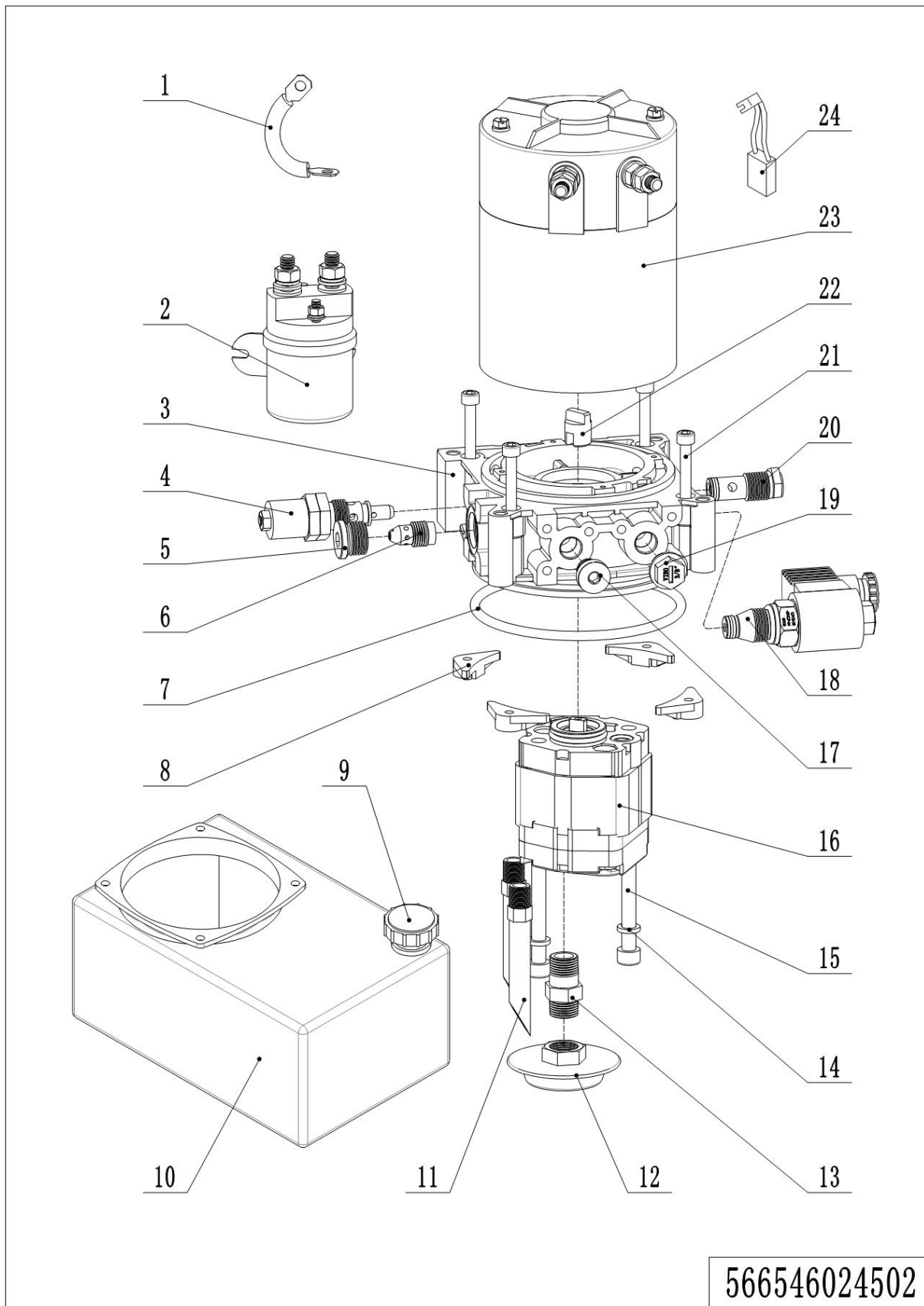
03 Hydraulic assembly (566546024501)



03 Hydraulic assembly (566546024501)

No.	Item Code	Mark	Item Description	Qty.	Substitute	Note
1	950400200003		Joint	2		
2	950400300007		Joint	4		
3	566521520053		Connecting Plate	1		
4	950700200003		Valve	2		
5	560524020001		Valve Block	1		
6	910400500005	1	Spring Washer	2		
7	910200200043	1	Screw	2		
8	910200200055	1	Screw	2		
9	910400500006	1	Spring Washer	2		
10	910400100006	1	Flat Washer	2		
11	566524520001		Hydraulic Tube	1		
12	950400300007		Joint	1		
13	566524520003		Hydraulic Tube	1		
14	951000100003		Hose Clamp	10		
15	910200200032	1	Screw	10		
16	566524520002		Hydraulic Tube	1		
17	950900100045		Pump Unit	1		
18	910200200076	1	Screw	2		
19	910400500007	1	Spring Washer	2		
20	940800600002		Hoop	1		
21	910100300068		Bolt	1		
22	910300300008		Nut	1		
23	566524510001		Cylinder	1		
24	910400100008	1	Flat Washer	2		
25	910400500008	1	Spring Washer	2		
26	910200200100	1	Screw	2		
27	910600100016	1	Cylindrical Pin	1		
28	505724010001		Cylinder	1		
29	566598510000		Seal Kit	1		
30	505798510001		Seal Kit	1		

04 Hydraulic unit (566546024502)

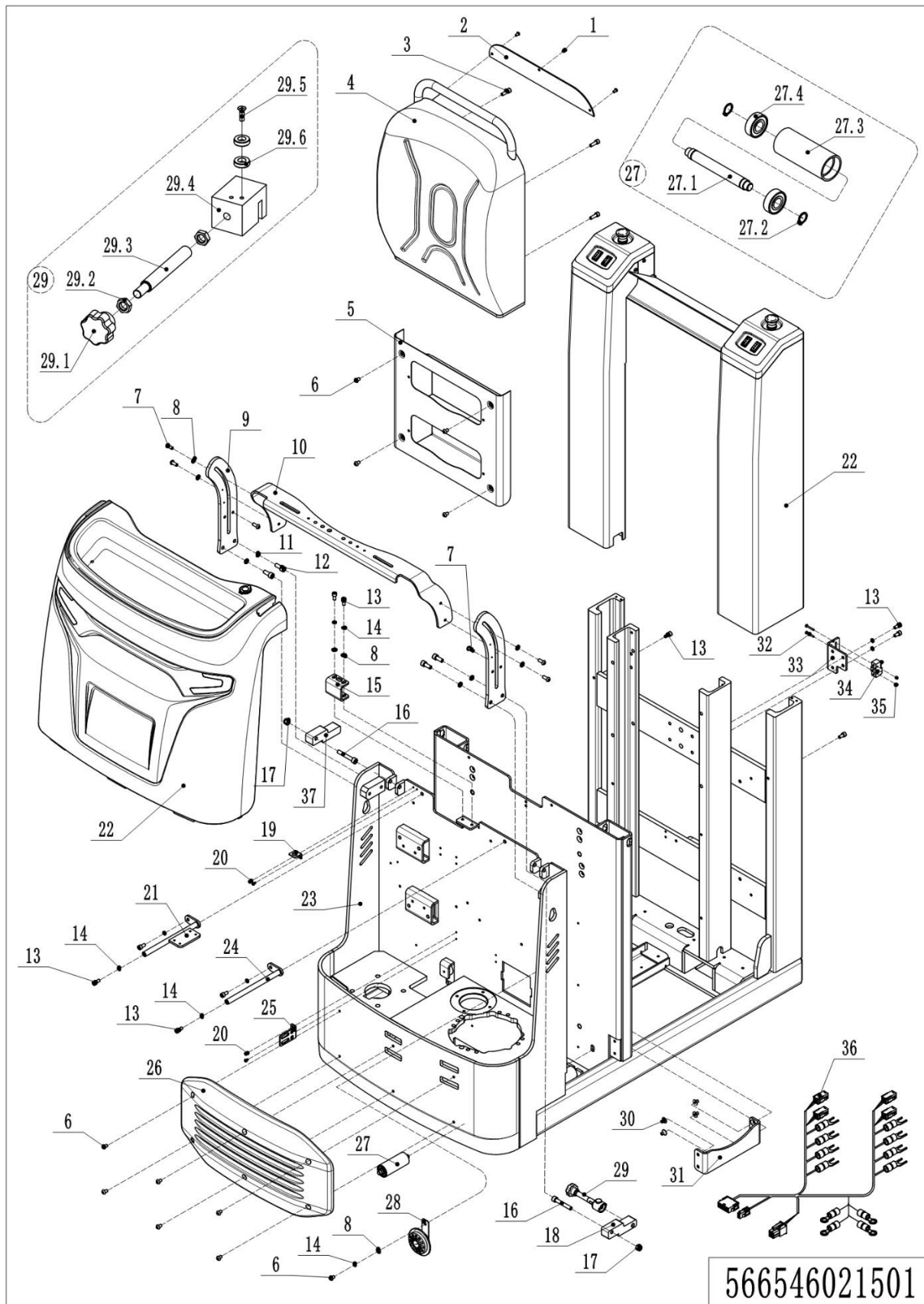


04 Hydraulic unit (566546024502)

No.	Item Code	Mark	Item Description	Qty.	Substitute	Note
1	505798510004	2	Cables	1		
2	532098510002	2	Switch	1		
3	505798520005	2	Valve Block	1		
4	505798510007	2	Overflow Valve	1		
5	402698520020	2	Plug	1		
6	505798510006	2	Compensation Valve	1		
7	910800100088	2	O-Ring	1		
8	505798520008	2	Nut	4		
9	951100200001	2	ScrewPlug	1		
10	566519010001	2	Oil Tank	1		
11	505798520012	2	Pipe	2		
12	402698520010	2	Filter	1		
13	505798520010	2	Oil Tube	1		
14	910400500006	2	Spring Washer	2		
15	910200200070	2	Screw	2		
16	532098510000	2	Gear Pump	1		
17	505798520014	2	End Cap	1		
18	532098510006	2	Magnetic Valve	1		
19	505798520015	2	End Cap	1		
20	505798510012	2	Check Valve	1		
21	910200200042	2	Screw	4		
22	505798520018	2	Coupling	1		
23	532098510001	2	Motor	1		
24	505798510013	2	Carbon Brush	4		

Chapter 3: Truck Frame

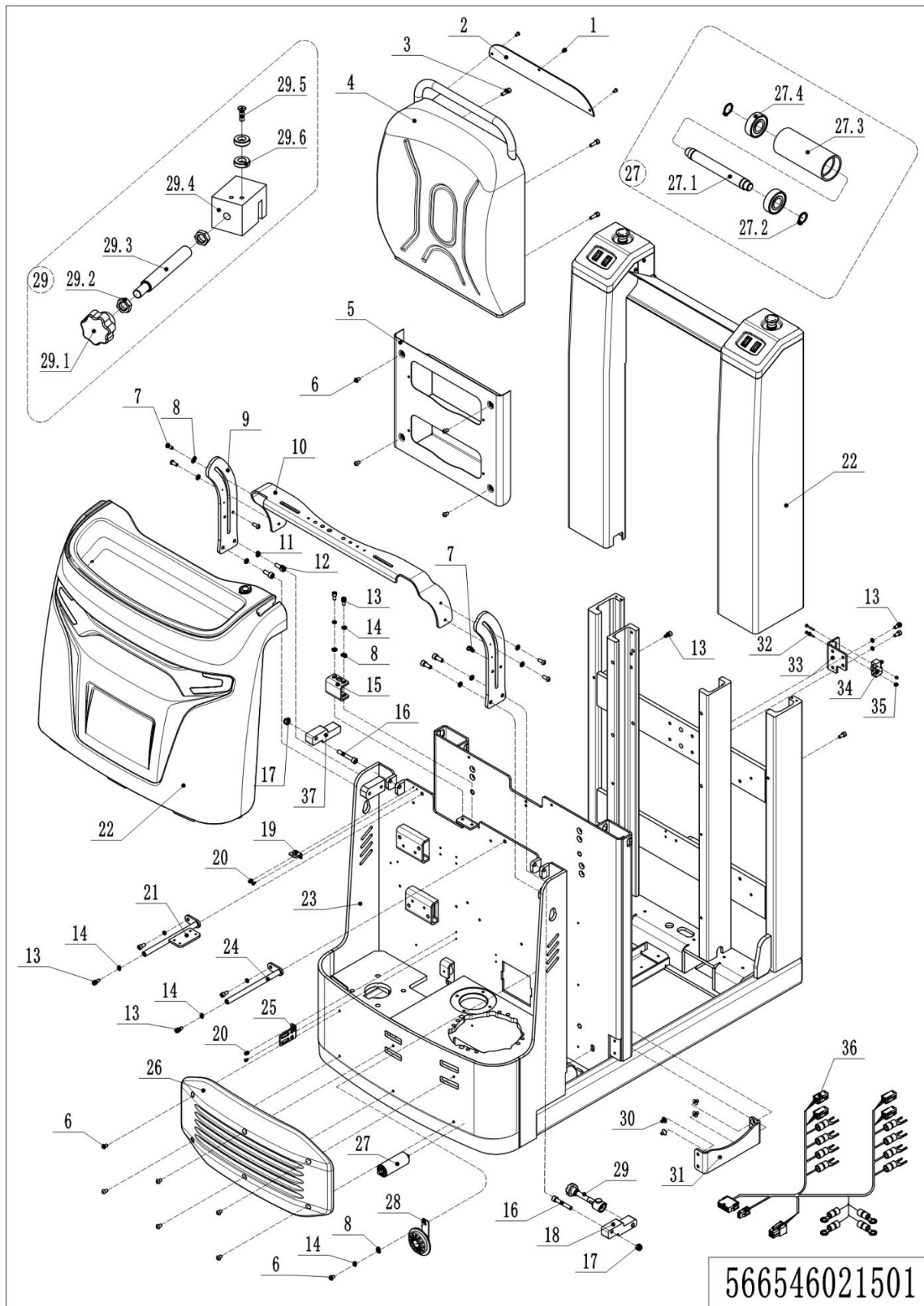
01 Chassis (566546021501)



01 Chassis (566546021501)

No.	Item Code	Mark	Item Description	Qty.	Substitute	Note
1	910200300016	1	Screw	3		
2	566518020075		Hose Protection	1		
3	910200200058	1	Screw	4		
4	566521520081		Backrest	1		
5	566521510010		Storage Box	1		
6	910200300023	1	Screw	11		
7	910200300025	1	Screw	6		
8	910400100006	1	Flat Washer	5		
9	566521520051		Mounting Plate	2		
10	566521520109		Bracket	1		
11	910400500007	1	Spring Washer	4		
12	910200200076	1	Screw	4		
13	910200200055	1	Screw	8		
14	910400500006	1	Spring Washer	9		
15	566521520045		Connecting Plate	1		
16	910200200084	1	Screw	2		
17	910300500005	1	Nut	2		
18	566521520052		Lock Block	1		
19	921300300003		Holder	1		
20	910200500036	1	Screw	4		
21	566521510016		Connecting Rod	1		
22	566598510001		Shield	1		
23	566521510000	2	Chassis(540)	1		
23	566521510002	2	Chassis(685)	1		
24	566521510015		Connecting Rod	1		
25	566521520099		Mounting Plate	1		
26	566521520097		Bumper Rail	1		
27	565921510005		Roller	8		
27.1	565921520063		Axle	1		
27.2	910401300006	1	Circlip	1		

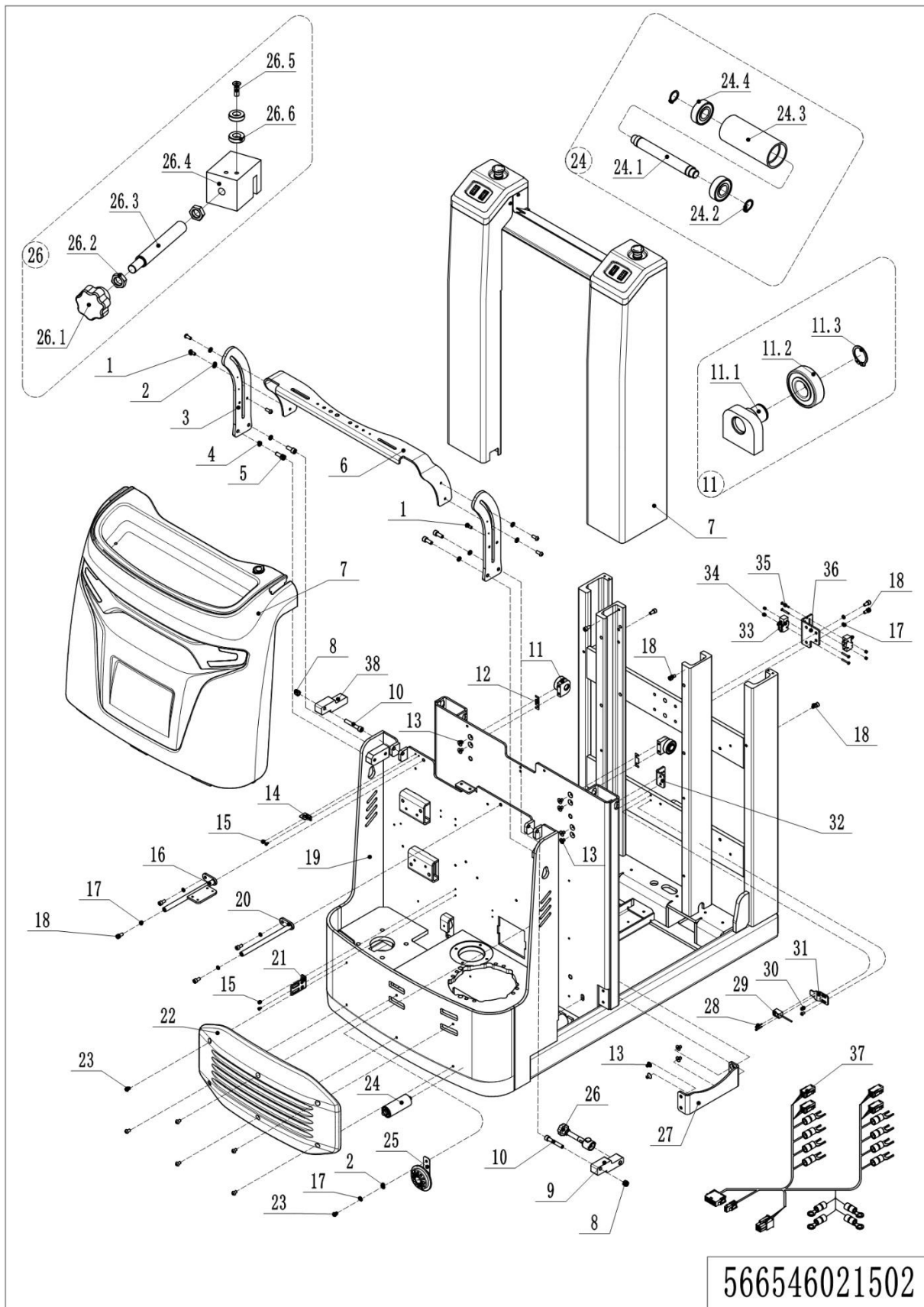
01 Chassis (566546021501)(Continuation)



01 Chassis (566546021501)(Continuation)

No.	Item Code	Mark	Item Description	Qty.	Substitute	Note
27.3	565921520064		Roller	1		
27.4	910700200017		Bearing	2		
28	920500100001		Horn	1		
29	566521510006		Locking Rod Assembly	1		
29.1	911000300003		Nut	1		
29.2	910300300005	1	Nut	2		
29.3	566521520102		Adjusting Rod	1		
29.4	566521520103		Locking Block	1		
29.5	910200600017	1	Screw	1		
29.6	940600100004		Magnetic Steel	2		
30	910200400040	1	Screw	4		
31	566521520050		Baffle	1		
32	910200500028	1	Screw	2		
33	566521520056		Mounting Base	1		
34	920200300001		Microswitch	1		
35	910300500001	1	Nut	2		
36	566533010023		Wiring Harness	1		
36	566533010113		Wiring Harness	1		20 CE
37	566521520085		Lock Block	1		

02 Chassis (566546021502)



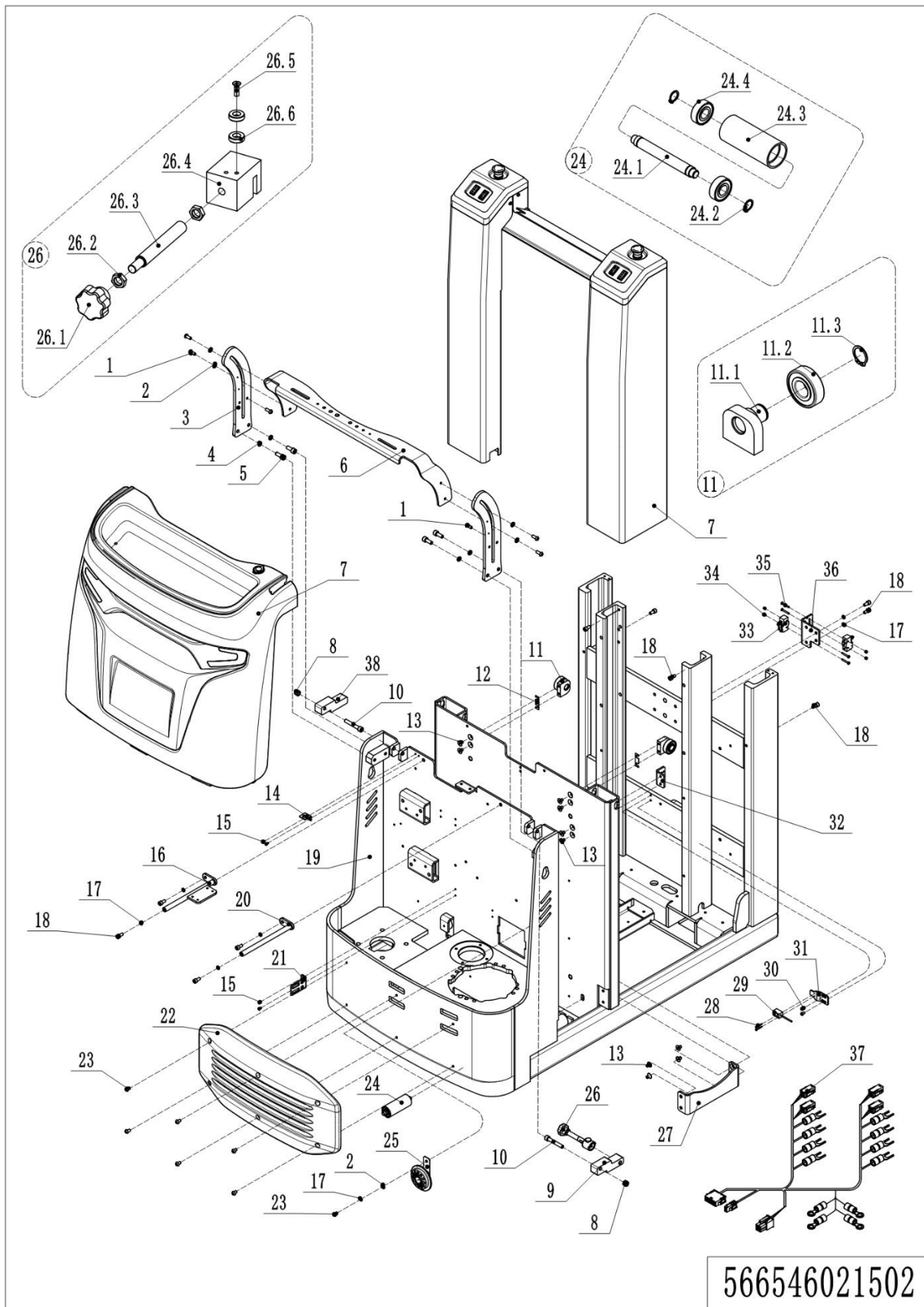
566546021502

1= Supply as package. 2= Supply with constraints. 3= Phasing-out supply. 4= Supply as assembly. 5= Check other tables.

02 Chassis (566546021502)

No.	Item Code	Mark	Item Description	Qty.	Substitute	Note
1	910200300025	1	Screw	6		
2	910400100006	1	Flat Washer	5		
3	566521520051		Mounting Plate	2		
4	910400500007	1	Spring Washer	4		
5	910200200076	1	Screw	4		
6	566521520109		Bracket	1		
7	566598510001		Shield	1		
8	910300500005	1	Nut	2		
9	566521520052		Lock Block	1		
10	910200200084	1	Screw	2		
11	566521510003		Bearing Assembly	2		
11.1	566521510004		Mounting Base	1		
11.2	910700200019		Bearing	1		
11.3	910401300011	1	Circlip	1		
12	566521520055		Gasket	2		
13	910200400040	1	Screw	10		
14	921300300003		Holder	1		
15	910200500036	1	Screw	4		
16	566521510016		Connecting Rod	1		
17	910400500006	1	Spring Washer	9		
18	910200200055	1	Screw	10		
19	566521510000	2	Chassis(540)	1		
19	566521510002	2	Chassis(685)	1		
20	566521510015		Connecting Rod	1		
21	566521520099		Mounting Plate	1		
22	566521520097		Bumper Rail	1		
23	910200300023	1	Screw	11		
24	565921510005		Roller	8		
24.1	565921520063		Axle	1		
24.2	910401300006	1	Circlip	1		

02 Chassis (566546021502)(Continuation)

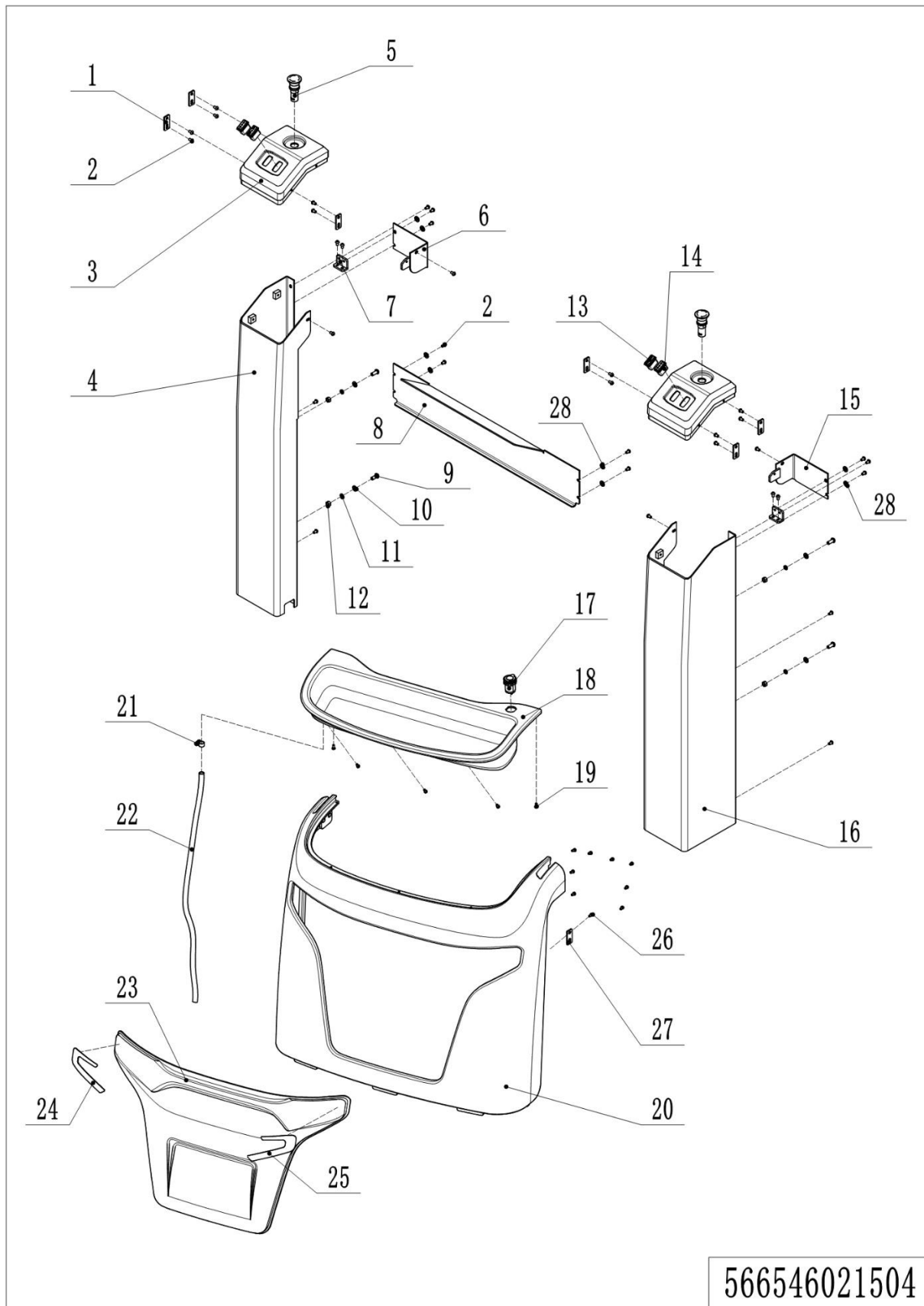


1= Supply as package. 2= Supply with constraints. 3= Phasing-out supply. 4= Supply as assembly. 5= Check other tables.

02 Chassis (566546021502)(Continuation)

No.	Item Code	Mark	Item Description	Qty.	Substitute	Note
24.3	565921520064		Roller	1		
24.4	910700200017		Bearing	2		
25	920500100001		Horn	1		
26	566521510006		Locking Rod Assembly	1		
26.1	911000300003		Nut	1		
26.2	910300300005	1	Nut	2		
26.3	566521520102		Adjusting Rod	1		
26.4	566521520103		Locking Block	1		
26.5	910200600017	1	Screw	1		
26.6	940600100004		Magnetic Steel	2		
27	566521520050		Baffle	1		
28	910200200016	1	Screw	2		
29	505633510000		Proximity Switch	1		
30	910200300016	1	Screw	2		
31	566521520057		Connecting Plate	1		
32	566518020015		Mounting Plate	1		
33	920200300001		Microswitch	2		
34	910300500001	1	Nut	4		
35	910200500028	1	Screw	4		
36	566521520056		Mounting Base	1		
37	566533010001		Wiring Harness	1		Platform lifting
37	566533010103		Wiring Harness	1		20 CE
38	566521520085		Lock Block	1		

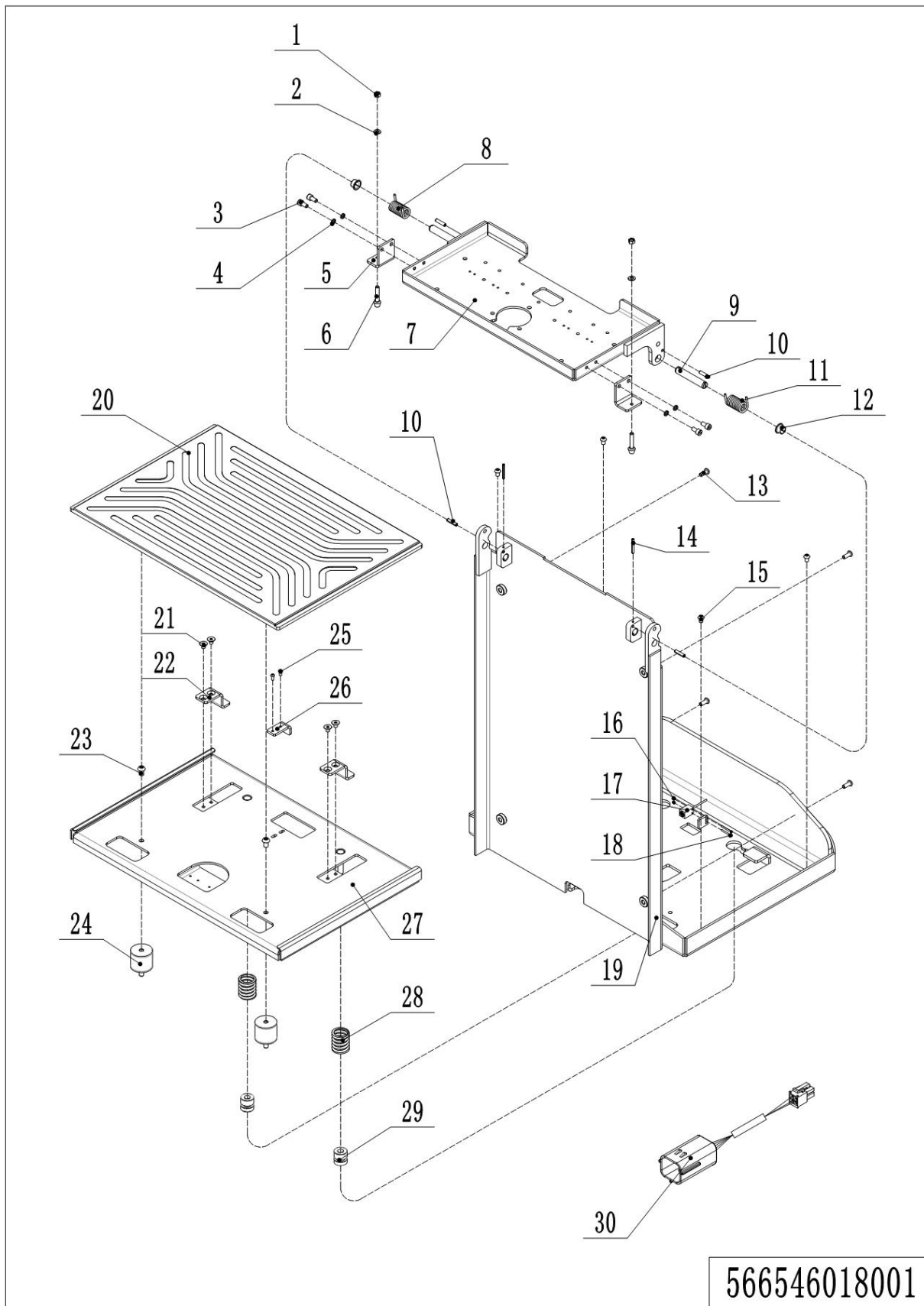
03 Cover (566546021504)



03 Cover (566546021504)

No.	Item Code	Mark	Item Description	Qty.	Substitute	Note
1	566521520064		Connecting Plate	6		
2	910200300016	1	Screw	32		
3	566521520098		Base	2		
4	566521510013	2	Hose Protection	1		
5	920200100021		Emergency Button	2		
6	566521510018		Close Plate	1		
7	566521510009		Connecting Plate	2		
8	566521520033		Hose Protection	1		
8	566521520063		Hose Protection	1		Optional for Beacon
9	910200300025	1	Screw	4		
10	910400500006	1	Spring Washer	4		
11	910400100006	1	Flat Washer	4		
12	910300100006	1	Nut	4		
13	920200800004		Rocker Switch	2		
14	920200800005		Rocker Switch	2		
15	566521510017		Close Plate	1		
16	566521510012	2	Hose Protection	1		
17	921000200987		Converter	1		
18	566521520096		Container	1		
19	910200500037	1	Screw	3		
20	566521520104		Front Cover	1		
21	911000600008		Hose Clamp	1		
22	532210020008		Pipe	1		
23	566521520105		Front Panel	1		
24	566547020001		Reflector	1		
25	566547020002		Reflector	1		
26	910200500050	1	Screw	9		
27	566521520122		Connecting Plate	9		
28	910400200002		Flat Washer	8		

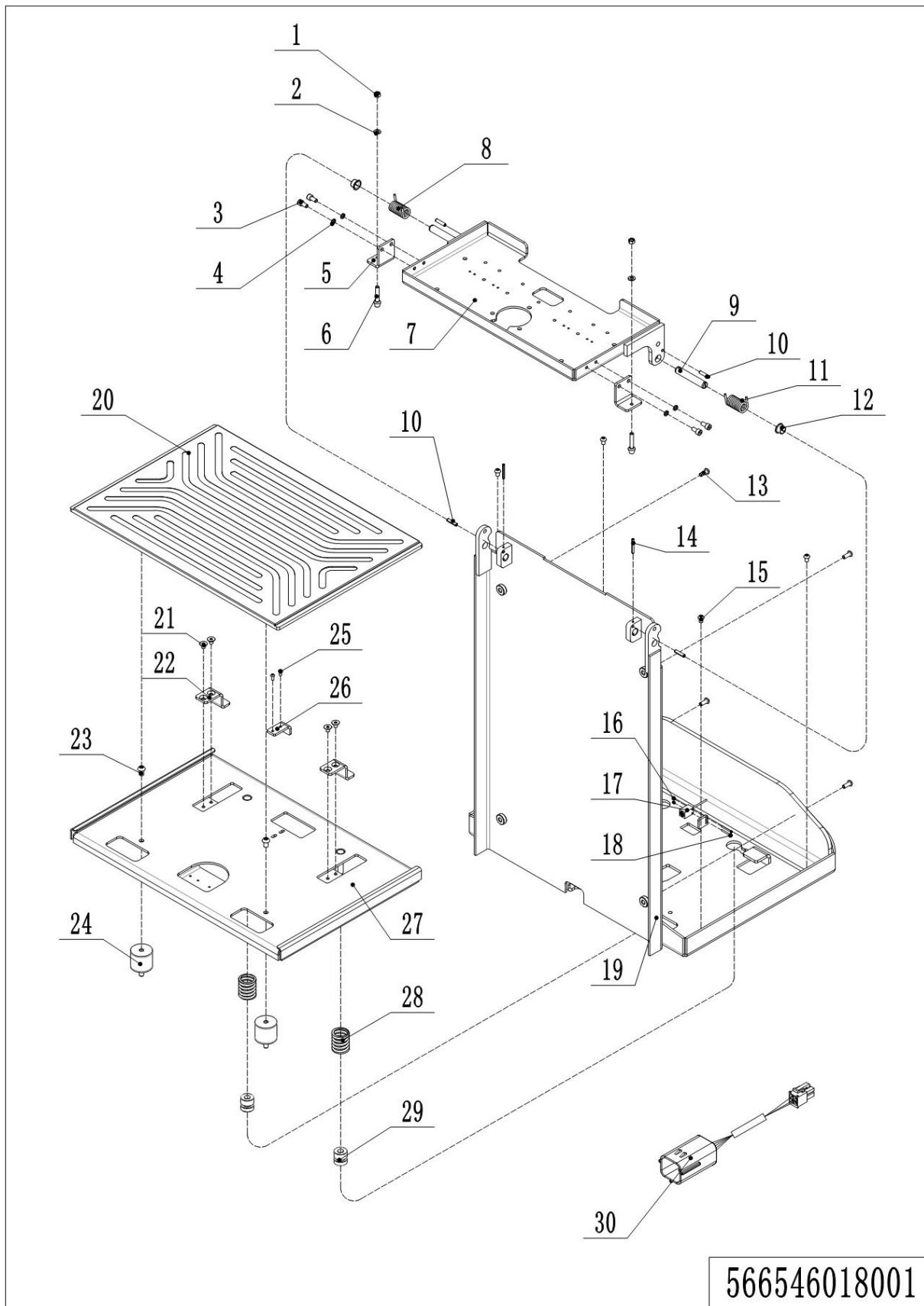
04 Platform (566546018001)



04 Platform (566546018001)

No.	Item Code	Mark	Item Description	Qty.	Substitute	Note
1	910300100006	1	Nut	2		
2	910400100006	1	Flat Washer	2		
3	910200200055	1	Screw	4		
4	910400500006	1	Spring Washer	4		
5	566518020087		Connecting Plate	2		
6	566518020086		Buffer Pad	2		
7	566518010005	2	Operation Panel	1		
8	566518020032		Spring	1		
9	566518020030		Axle	2		
10	910600400038	1	Spring Pin	4		
11	566518020031		Spring	1		
12	940500200018		Bushing	2		
13	910200300025	1	Screw	1		
14	910600400018	1	Spring Pin	2		
15	910200300023	1	Screw	4		
16	910300500011	1	Nut	2		
17	502311010001		Proximity Switch	1		
18	910200500017	1	Screw	2		
19	566518010010	2	Platform	1		
20	566518020093		Foot Pad	1		
21	910200400040	1	Screw	4		
22	566518020089		Stop Plate	2		
23	910200300027	1	Screw	2		
24	566518020088		Shock Absorber	2		
25	910200300012	1	Screw	2		
26	566518020037		Adjusting Plate	1		
27	566518010001	2	Platform	1		
28	940400500004		Spring	2		
29	566518020033		Crash Pad	2		
30	566533010024		Wiring Harness	1		

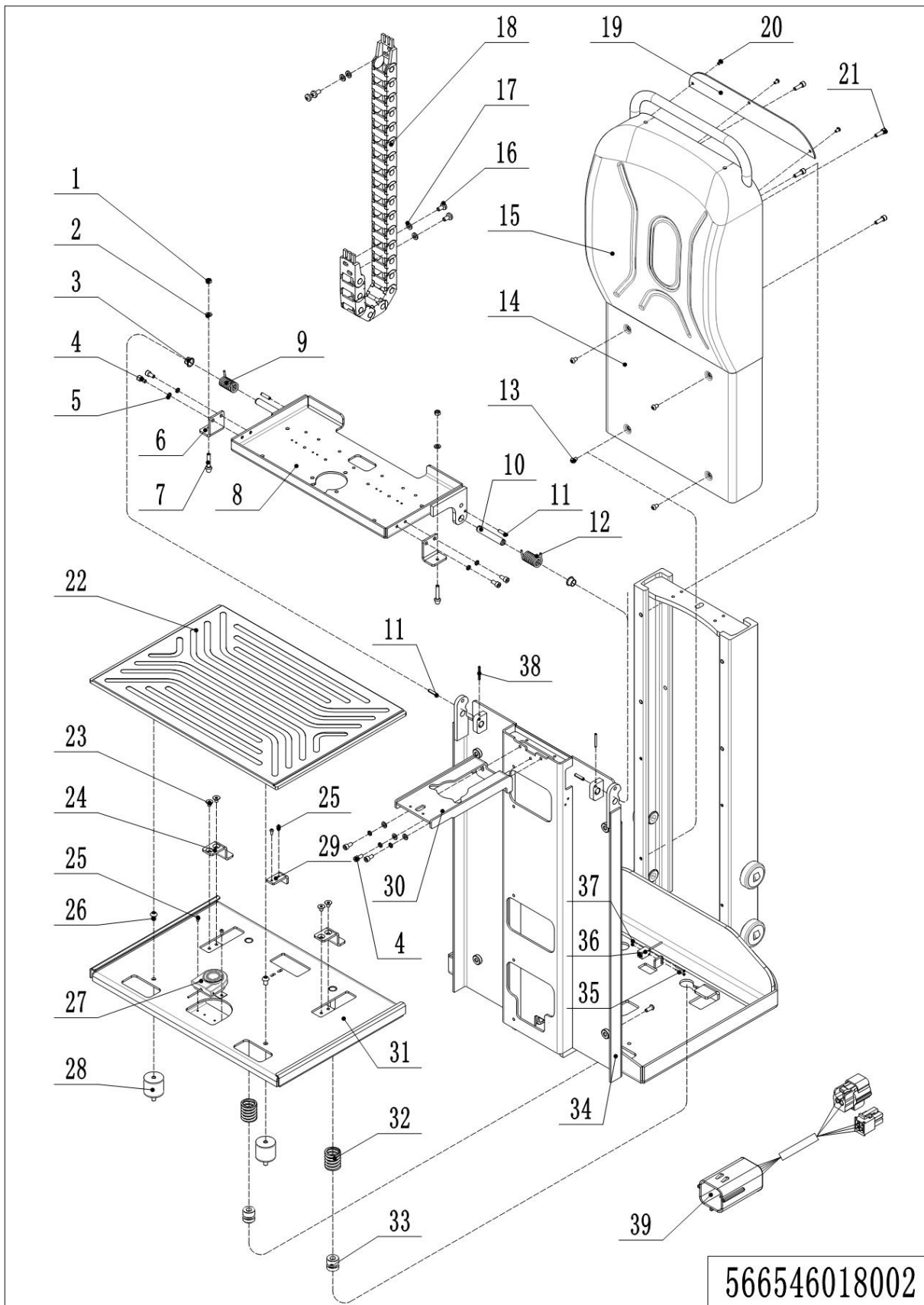
04 Platform (566546018001) (Continuation)



04 Platform (566546018001) (Continuation)

No.	Item Code	Mark	Item Description	Qty.	Substitute	Note
30	566533010107		Wiring Harness	1		20 CE

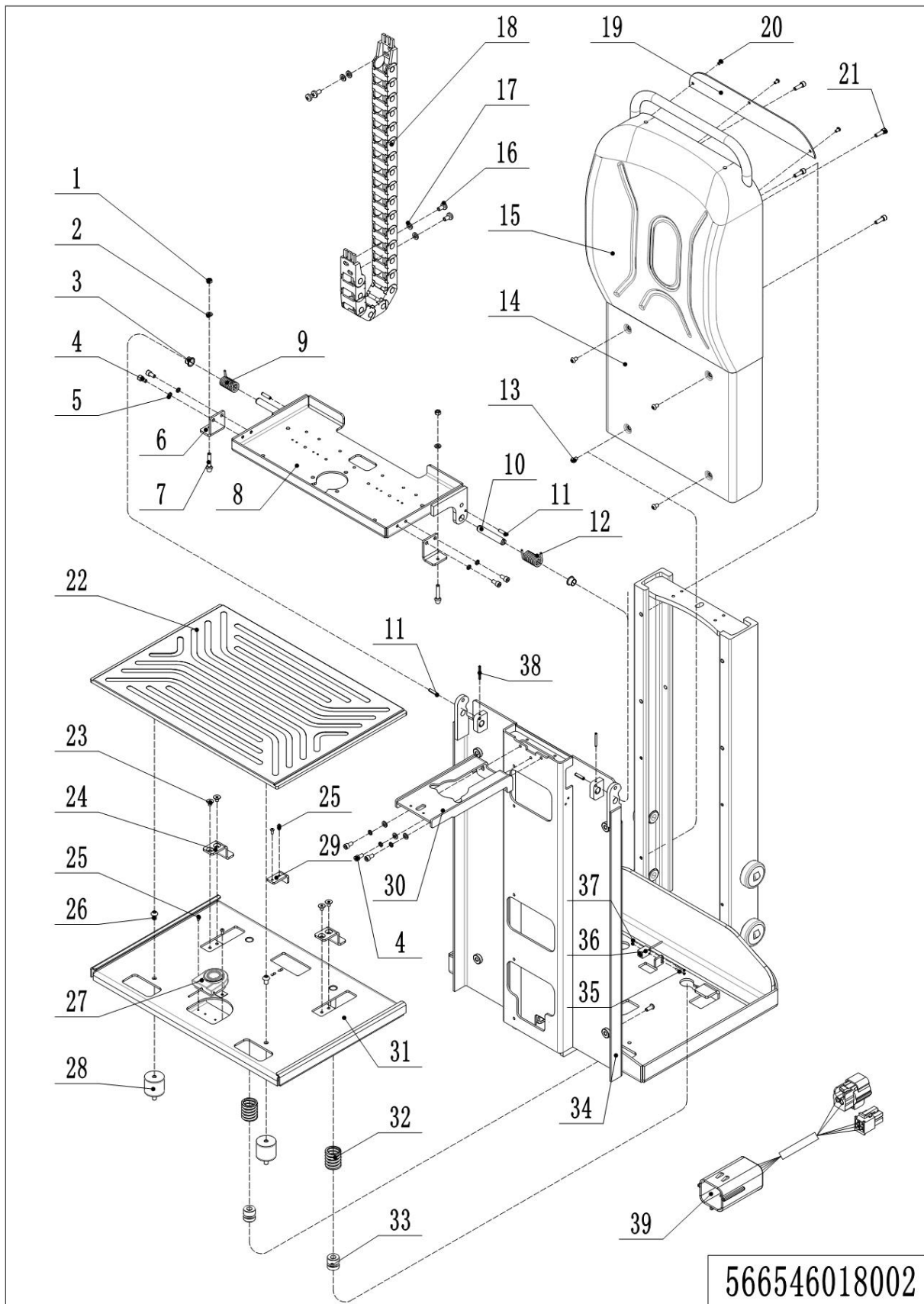
05 Platform (566546018002)



05 Platform (566546018002)

No.	Item Code	Mark	Item Description	Qty.	Substitute	Note
1	910300100006	1	Nut	2		
2	910400100006	1	Flat Washer	2		
3	940500200018		Bushing	2		
4	910200200055	1	Screw	4		
5	910400500006	1	Spring Washer	4		
6	566518020087		Connecting Plate	2		
7	566518020086		Buffer Pad	2		
8	566518010005	2	Operation Panel	1		
9	566518020032		Spring	1		
10	566518020030		Axle	2		
11	910600400038	1	Spring Pin	4		
12	566518020031		Spring	1		
13	910200300023	1	Screw	4		
14	566521520044		Plate	1		
15	566521520081		Backrest	1		
16	910200500051	1	Screw	4		
17	910400100005	1	Flat Washer	4		
18	566533010020		Drag Chain	1		
19	566518020075		Hose Protection	1		
20	910200300016	1	Screw	3		
21	910200200058	1	Screw	4		
22	566518020093		Foot Pad	1		
23	910200400040	1	Screw	4		
24	566518020089		Stop Plate	2		
25	910200300012	1	Screw	4		
26	910200300027	1	Screw	2		
27	566533010018		Switch	1		
28	566518020088		Shock Absorber	2		
29	566518020037		Adjusting Plate	1		
30	566518010004		Stop Plate	1		

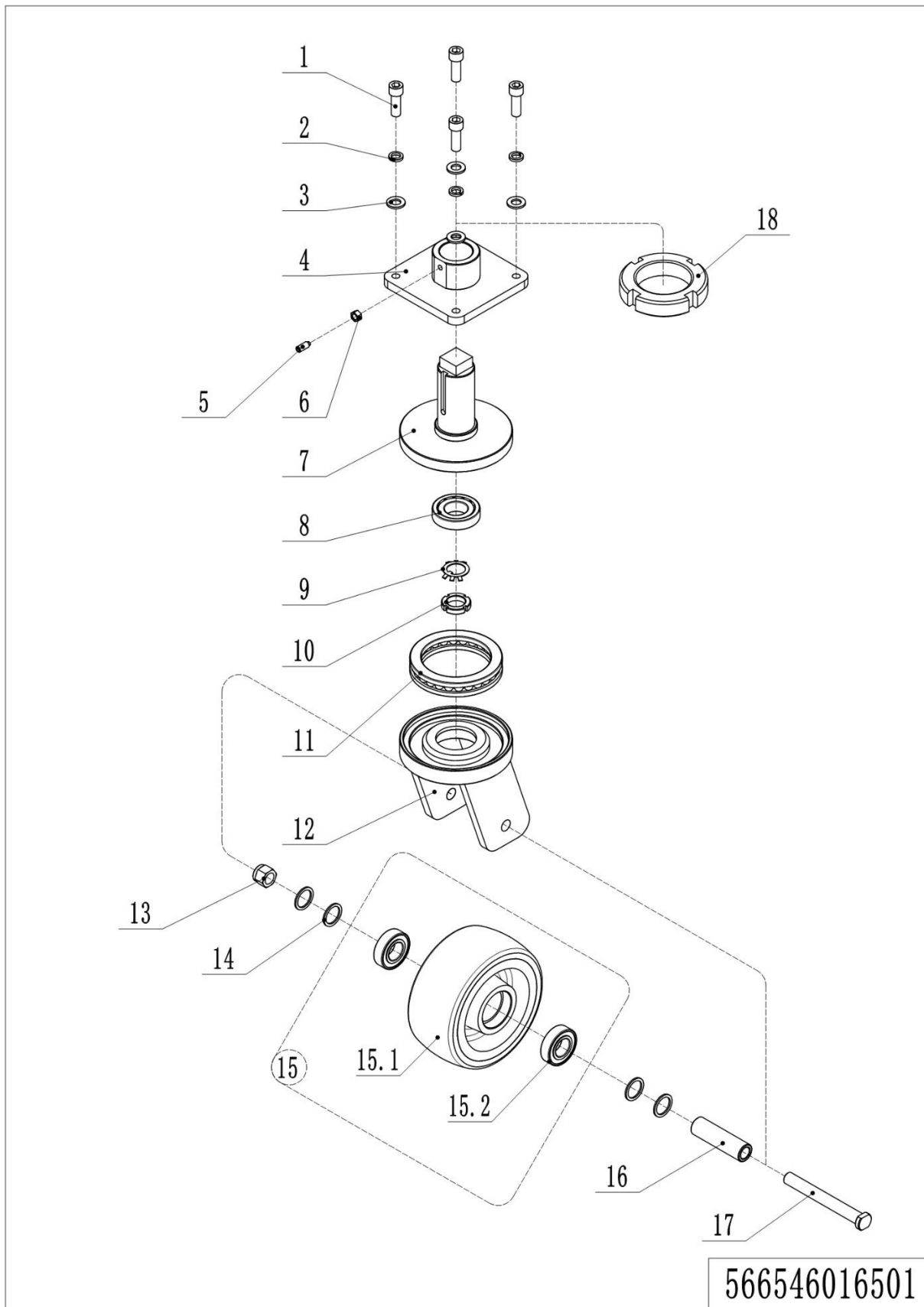
05 Platform (566546018002) (Continuation)



05 Platform (566546018002)(Continuation)

No.	Item Code	Mark	Item Description	Qty.	Substitute	Note
31	566518010001	2	Platform	1		
32	940400500004		Spring	2		
33	566518020033		Crash Pad	2		
34	566518010000	2	Platform	1		
35	910200500017	1	Screw	2		
36	502311010001		Proximity Switch	1		
37	910300500011	1	Nut	2		
38	910600400018	1	Spring Pin	2		
39	566533010004		Wiring Harness	1		
39	566533010107		Wiring Harness	1		20 CE

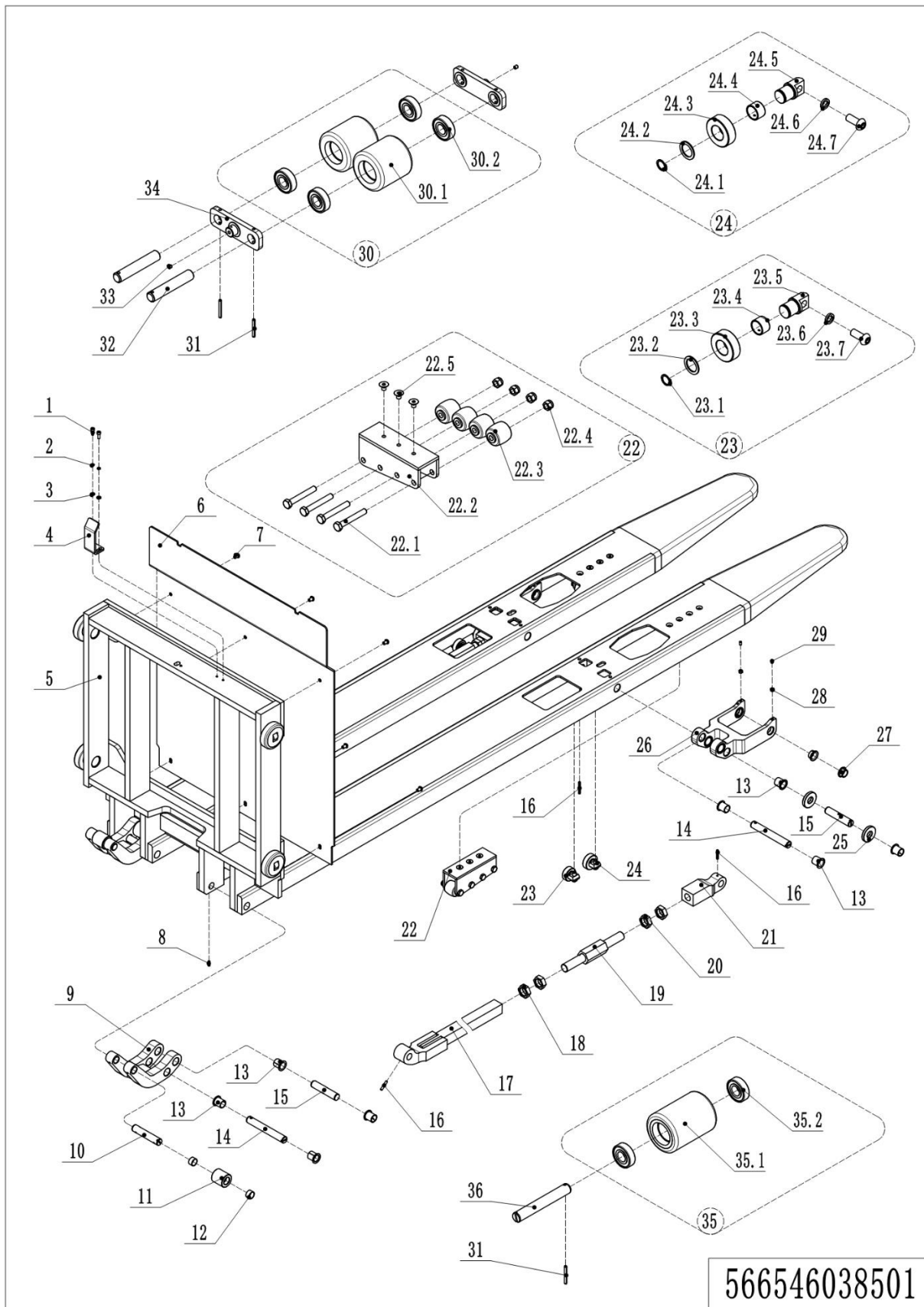
06 Caster (566546016501)



06 Caster (566546016501)

No.	Item Code	Mark	Item Description	Qty.	Substitute	Note
1	910200200099	1	Screw	4		
2	910400500008	1	Spring Washer	4		
3	910400100008	1	Flat Washer	4		
4	566516510002		Connecting Plate	1		
5	910201000012	1	Screw	1		
6	910300100006	1	Nut	1		
7	566516510001		Axle	1		
8	910700600002		Bearing	1		
9	910400900004	1	Lock Washer	1		
10	910300700001	1	Nut	1		
11	910700700003		Bearing	1		
12	566516510000		Caster Frame	1		
13	910300500008	1	Nut	1		
14	940600500009		Washer	2		
15	566598510007		Wheel	1		
15.1	940300300072		WheelΦ180x80	1		
15.2	910700200081		Bearing	2		
16	566516520009		Bushing	1		
17	566516520007		Pin	1		
18	941100900004		Nut	1		

07 Fork carriage (566546038501)



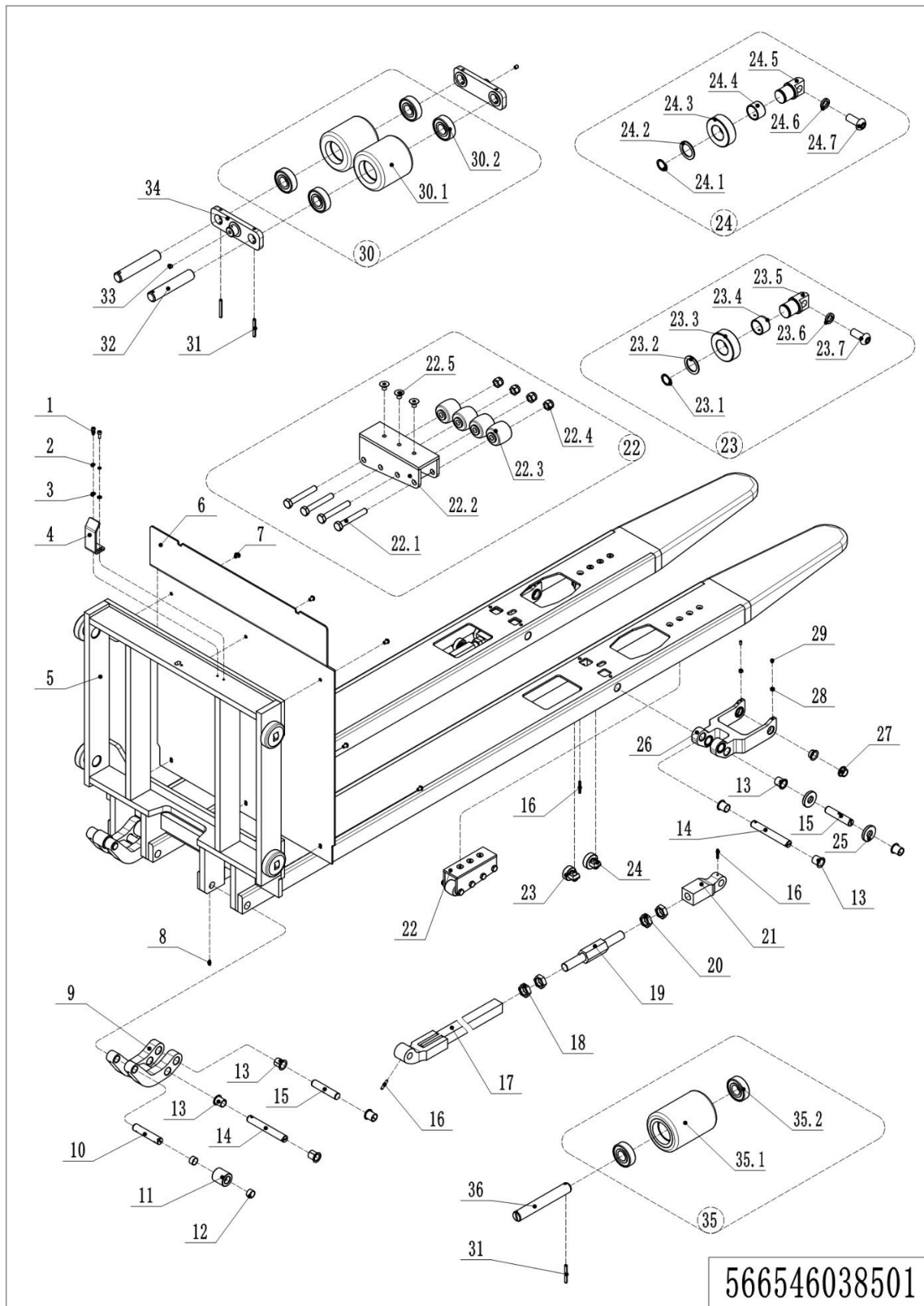
07 Fork carriage (566546038501)

No.	Item Code	Mark	Item Description	Qty.	Substitute	Note
1	910200200035	1	Screw	2		
2	910400500005	1	Spring Washer	2		
3	910400100005	1	Flat Washer	2		
4	566538520015		Adjusting Plate	1		
5	566538510000	2	Fork(540x2400)	1		
5	566538510010	2	Fork(540x1200)	1		
5	566538510013	2	Fork(540x1150)	1		
5	566538510007	2	Fork(685x2400)	1		
5	566538510012	2	Fork(685x1200)	1		
5	566538510014	2	Fork(685x1150)	1		
6	566538520051		Baffle	1		
7	910200300023	1	Screw	6		
8	910600400054	1	Spring Pin	2		
9	566538520068		Rib Plate	2		
10	566538520055		Axle	2		
11	566538520056		Roller	2		
12	940500100012		Bushing	4		
13	940500200042		Bushing	16		
14	566538520054		Axle	4		
15	566538520053		Axle	4		
16	910600400060	1	Spring Pin	6		
17	566538510001	2	Tie Rod	2		Fork 2400
17	566538510011	2	Tie Rod	2		Fork 1200
17	566538510015	2	Tie Rod	2		Fork 1150
18	910300400011		Nut	4		
19	566538520033		Adjusting Rod	2		
20	910300400015		Nut	4		
21	566538520035		Connecting Rod	2		
22	566538501010		Pulley components	2		
22.1	910100100037	1	Bolt	4		

07 Fork carriage (566546038501)(Continuation)

No.	Item Code	Mark	Item Description	Qty.	Substitute	Note
22.2	566538510006		Mounting Base	1		
22.3	506238520041		Running Pulley	4		
22.4	910300500005	1	Nut	4		
22.5	910200400023	1	Screw	3		
23	566538510004		Guide Roller Kit	2		
23.1	910401300011	1	Circlip	1		
23.2	940600500012		Washer	1		
23.3	566538520062		Guide Roller	1		
23.4	940500100018		Bushing	1		
23.5	566538520060		Axle	1		
23.6	910400500007	1	Spring Washer	1		
23.7	910200200076	1	Screw	1		
24	566538510003		Guide Roller Kit	1		
24.1	910401300011	1	Circlip	1		
24.2	940600500012		Washer	1		
24.3	566538520061		Guide Roller	1		
24.4	940500100018		Bushing	1		
24.5	566538520060		Axle	1		
24.6	910400500007	1	Spring Washer	1		
24.7	910200200076	1	Screw	1		
25	566538520057		Guide Roller	4		
26	566538520049		Riser	2		
27	940500200040		Bushing	4		
28	910200800011	1	Screw	4		
29	910300100005	1	Nut	4		
30	566598510003		Wheel	2		
30.1	940300300008		WheelΦ82x82	2		
30.2	910700200019		Bearing	8		
31	910600500005	1	Spring Pin	4		

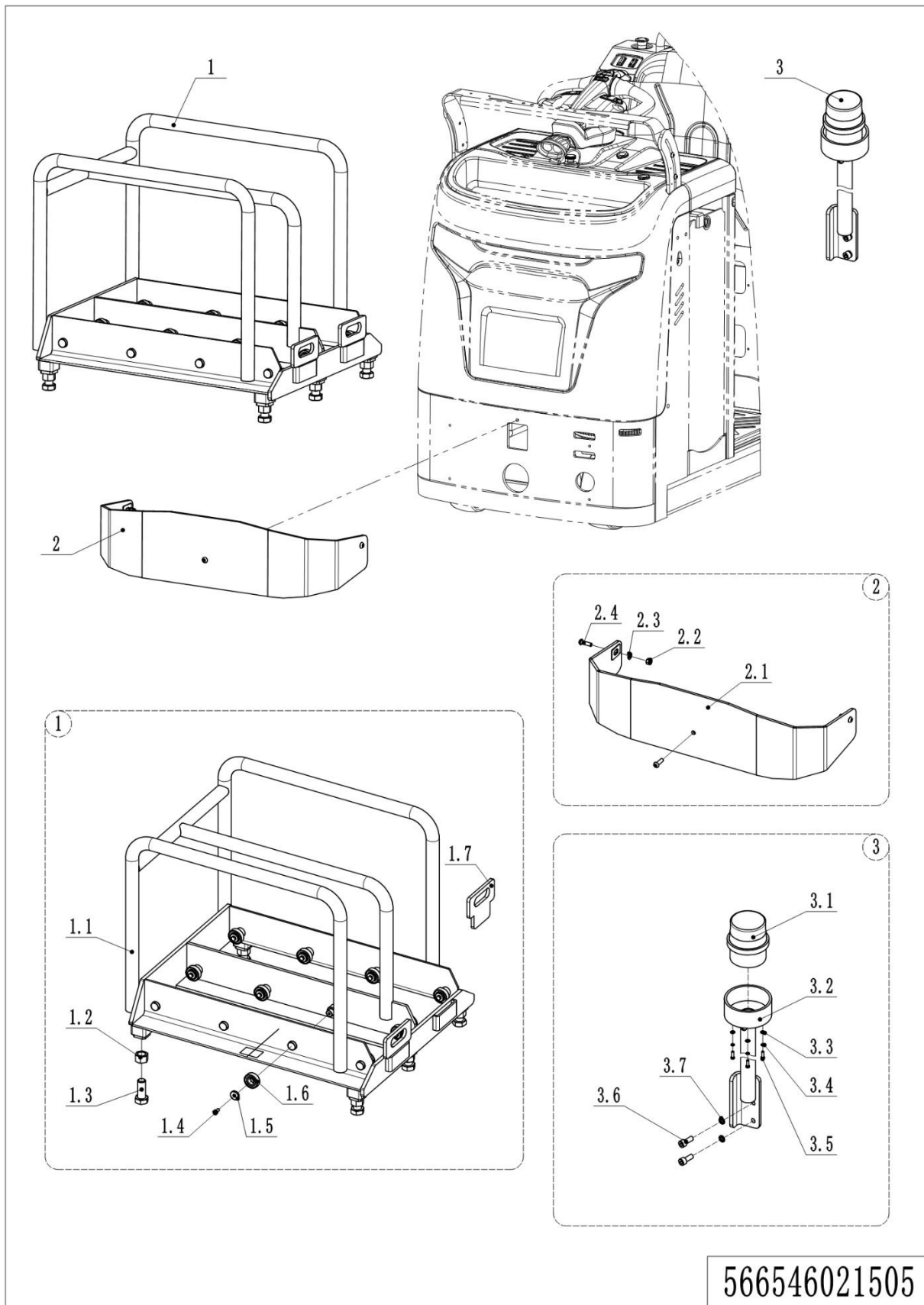
07 Fork carriage (566546038501) (Continuation)



07 Fork carriage (566546038501)(Continuation)

No.	Item Code	Mark	Item Description	Qty.	Substitute	Note
32	505617020000		Axle	4		
33	911200100001		Oil Cup	4		
34	566517020000		Connecting Plate	4		
35	566598510004		Wheel	2		
35.1	940300300006		WheelΦ82x110	2		
35.2	910700200019		Bearing	4		
36	566517020002		Axle	2		

08 Other options (566546021505)

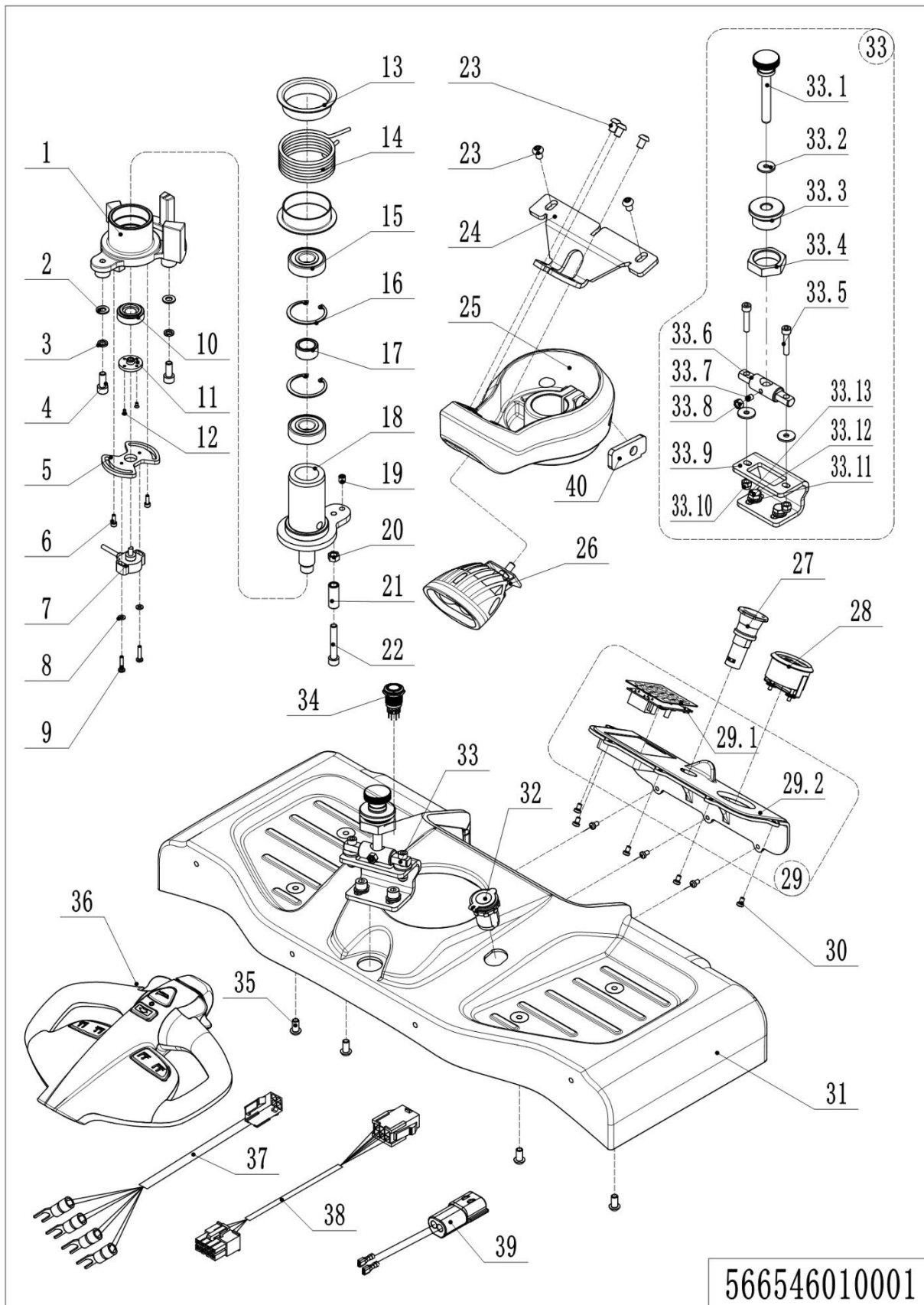


08 Other options (566546021505)

No.	Item Code	Mark	Item Description	Qty.	Substitute	Note
1	566598510010		Battery carrier Kit	1		Optional
1.1	566512510002		Battery carrier	1		
1.2	910300100018		Nut	6		
1.3	910100300084		Bolt	6		
1.4	910100300020	1	Bolt	16		
1.5	212213520000		Washer	16		
1.6	910700200019		Bearing	16		
1.7	212112520013		Limit plate	2		
2	566598510011		Guard plate Kit	1		Optional
2.1	566566510001		Guard plate	1		
2.2	910300500005	1	Nut	2		
2.3	910400100007	1	Flat Washer	2		
2.4	910200300032	1	Bolt	3		
3	566598510012		Beacon Kit(Light)	1		Optional
3	566598510013		Beacon Kit (Sound and Light)	1		Optional
3.1	567733010050		Beacon(Light)	1		
3.1	567733010051		Beacon(Sound and Light)	1		
3.2	567735510000		Mounting Bracket	1		
3.3	910400100004	1	Flat Washer	3		
3.4	910400500004	1	Spring Washer	3		
3.5	910200500040	1	Screw	3		
3.6	910200200076	1	Screw	2		
3.7	910400500007	1	Spring Washer	2		

Chapter 4: Steering system, braking system, wheels

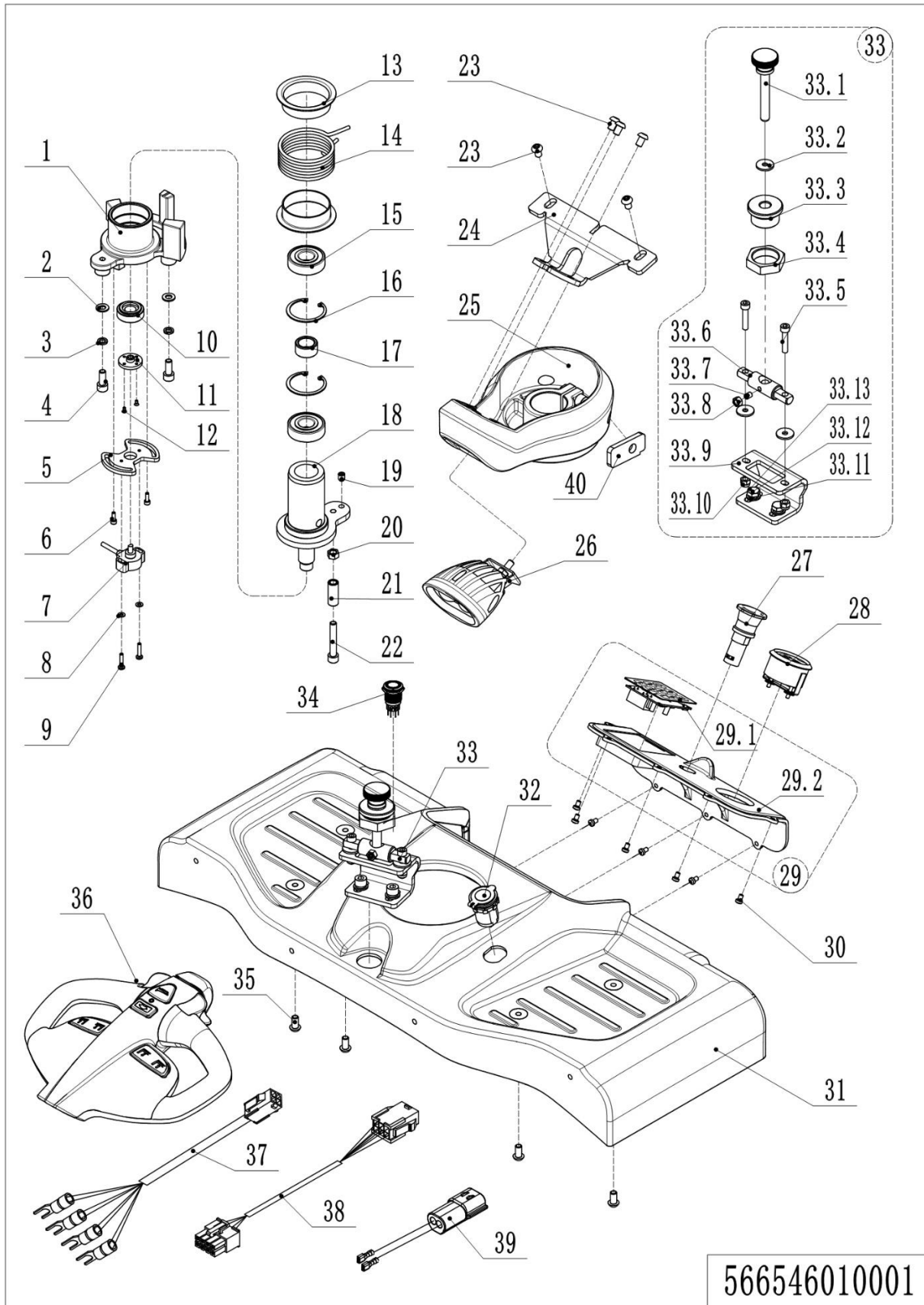
01 Operating panel (566546010001)



01 Operating panel (566546010001)

No.	Item Code	Mark	Item Description	Qty.	Substitute	Note
1	566531520003		Bracket	1		
2	910400100006	1	Flat Washer	3		
3	910400500006	1	Spring Washer	3		
4	910200200057	1	Screw	3		
5	566531520007		Connecting Plate	1		
6	910200200014	1	Screw	2		
7	565933510000		Potentiometer	1		
8	910400100003	1	Flat Washer	2		
9	910200500026	1	Screw	2		
10	565931520004		Nut	1		
11	565931520005		Link Block	1		
12	910200600001	1	Screw	2		
13	566531520004		Sleeve	2		
14	566531520006		Spring	1		
15	910700200019-T01		Bearing	2		
16	910401400013	1	Circlip	2		
17	566531520008		Sleeve	1		
18	566531510000		Axle	1		
19	566531510001		Plunger	1		
20	910300100006	1	Nut	1		
21	566531520005		Bushing	1		
22	910200200063		Screw	1		
23	910200300023	1	Screw	5		
24	566511020000		Connecting Plate	1		
25	566531520009		Bracket	1		
26	566534510002		Lamp	1		
27	920200100021		Emergency Button	1		
28	921100100077		Display	1		
28	921100100116		Display	1		Optional
29	566598510005		Indicator Kit	1		

01 Operating panel (566546010001) (Continuation)

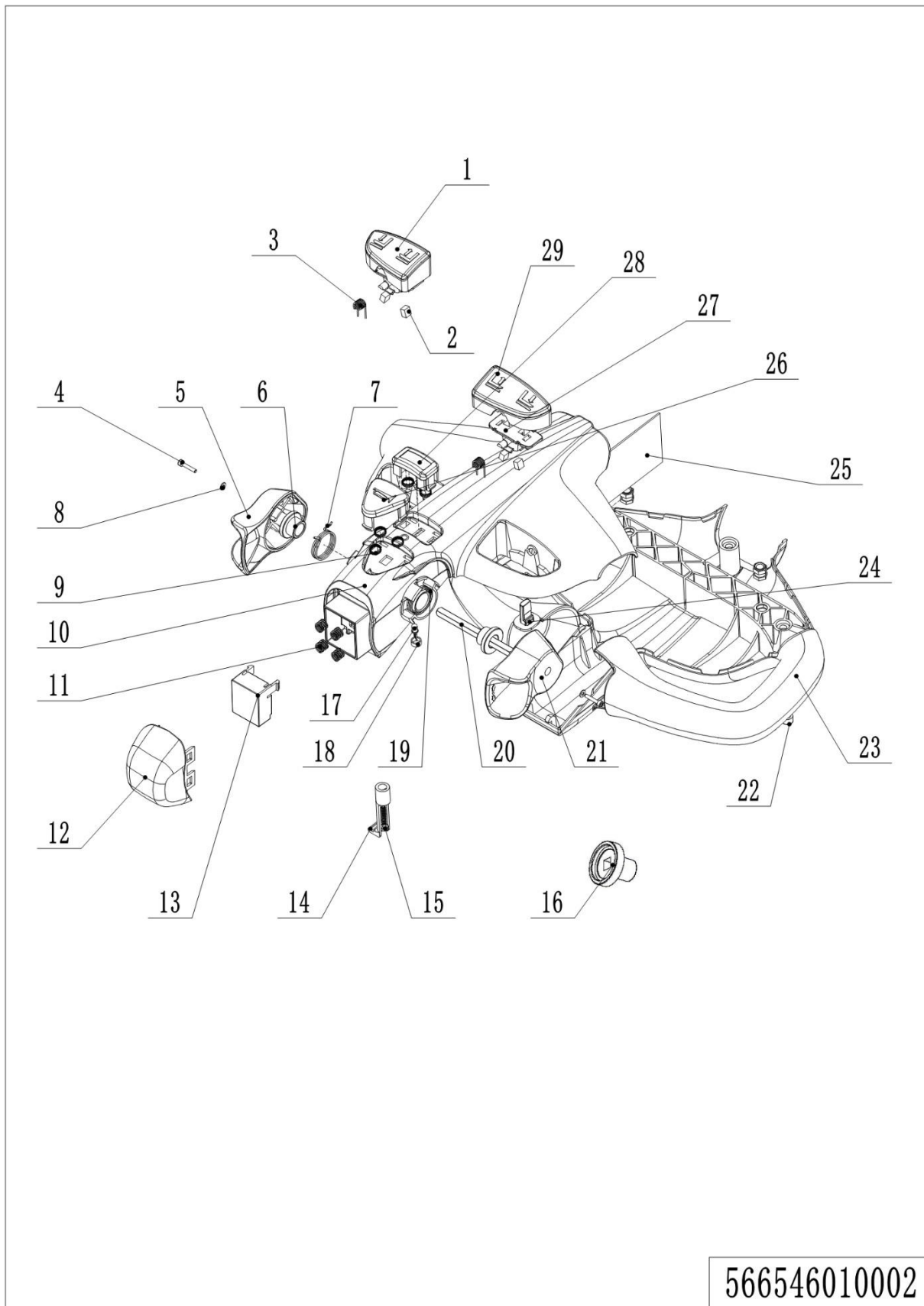


566546010001

01 Operating panel (566546010001)(Continuation)

No.	Item Code	Mark	Item Description	Qty.	Substitute	Note
29.1	566533010021	4	Pin-code Lock	1		
29.2	566518020091	4	Bracket	1		
30	910200500036	1	Screw	8		
31	566518020090		Cover	1		
32	921000200987		Converter	1		
33	566598510051		Lock	1		
33.1	566518020078		Screw	1		
33.1	566518020097		Screw	1		For platform lifting
33.2	566518020079		Flat Washer	4		
33.3	566518020076		Lock seat	1		
33.4	566518020094		Nut	1		
33.5	910200200039	1	Screw	2		
33.6	566518020077		Fixed rod	1		
33.7	566518020080	1	Screw	1		
33.8	910300100005	1	Nut	1		
33.9	566521520110		Mounting plate	1		
33.10	910300500003	1	Nut	2		
33.11	910100300020	1	Screw	2		
33.12	910400100006	1	Flat Washer	2		
33.13	910400500006	1	Spring Washer	2		
34	920200700034		Switch	1		For Li-battery
35	910200300024	1	Screw	4		
36	922100100001		Tiller	1		
37	566533010019		Wiring Harness	1		
37	567433010103		Wiring Harness	1		20 CE
38	566533010003		Wiring Harness	1		
38	566533010111		Wiring Harness	1		20 CE
39	566533010026		Wiring Harness	1		
40	566531520011		Limit plate	1		

02 Control Handle (566546010002)

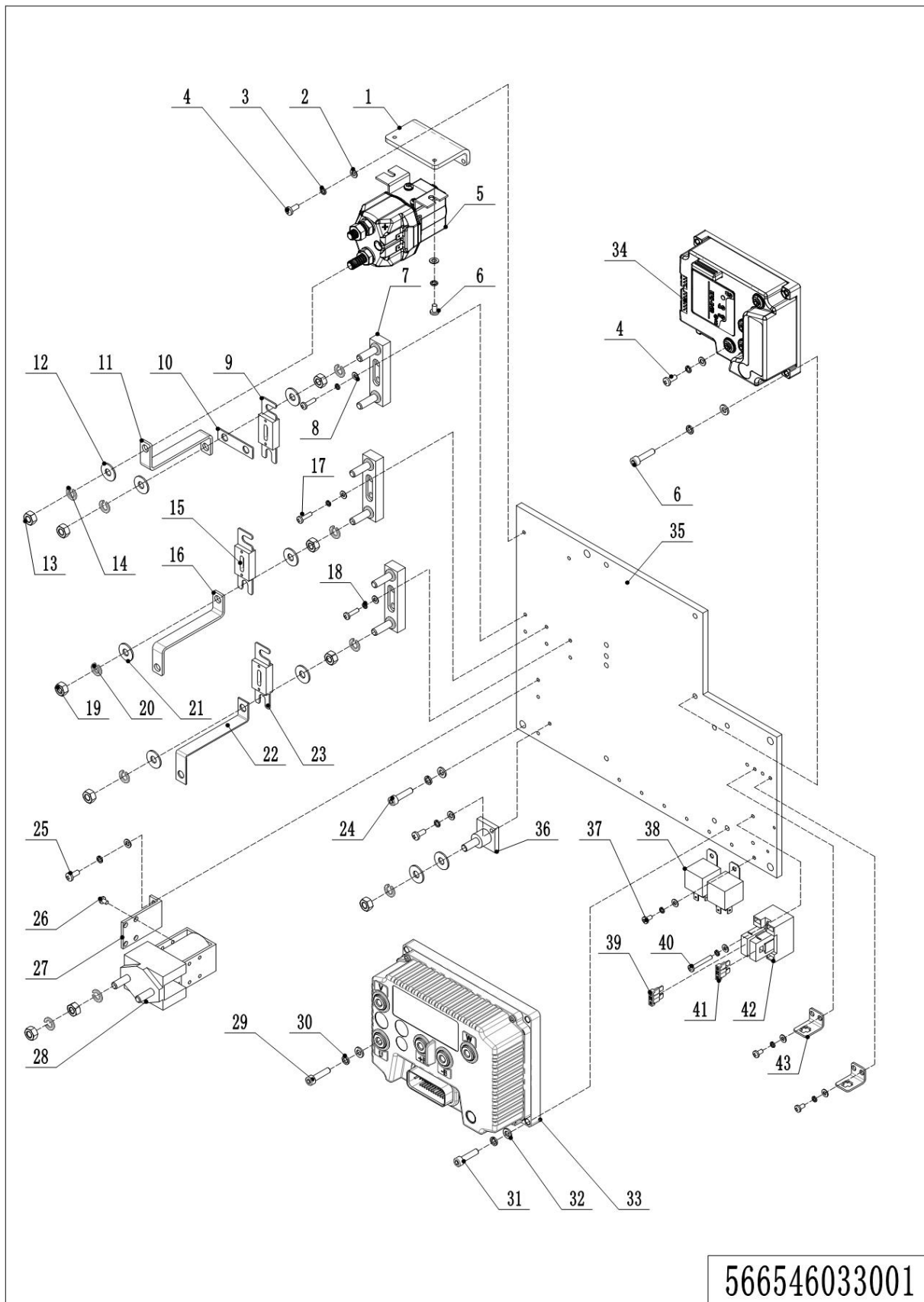


02 Control Handle (566546010002)

No.	Item Code	Mark	Item Description	Qty.	Substitute	Note
1	505698520016	2	Button cap	1		
2	505698520005	2	Magnet	4		
3	505698520018	2	Torsional Spring	2		
4	505698520008	2	Screw	2		
5	505698520001	2	Traction lever	1		
6	505698520004	2	Sleeve	2		
7	505698520027	2	Torsional Spring	1		
8	505698520009	2	Washer	2		
9	505698520003	2	Spring	5		
10	505698520099	2	Handle Cap	1		
11	505698520006	2	Spring	4		
12	505698520020	2	Button Cap-	1		
13	505698520100	2	Pedestal	1		
14	505698520012	2	Clamp	1		
15	505698520023	2	Screw	1		
16	505698520102	2	Magnet holder	2		
17	505698520024	2	Light	1		
18	505698520025	2	Lamp Holder	1		
19	505698520026	2	Torsional Spring	1		
20	505698520011	2	Axle-Traction lever	1		
21	505698520010	2	Traction lever	1		
22	505698520007	2	Screw	3		
23	505698520015	2	Handle Cap	1		
24	505698520013	2	Sensor	2		
25	505698520101	2	circuit Board	1		
26	505698520002	2	Horn Button	1		
27	505698520017	2	Fixing Base	2		
28	505698520021	2	Button Cap	1		
29	505698520022	2	Button Cap	1		

Chapter 5: Electrical parts

01 Electronic control components (566546033001)

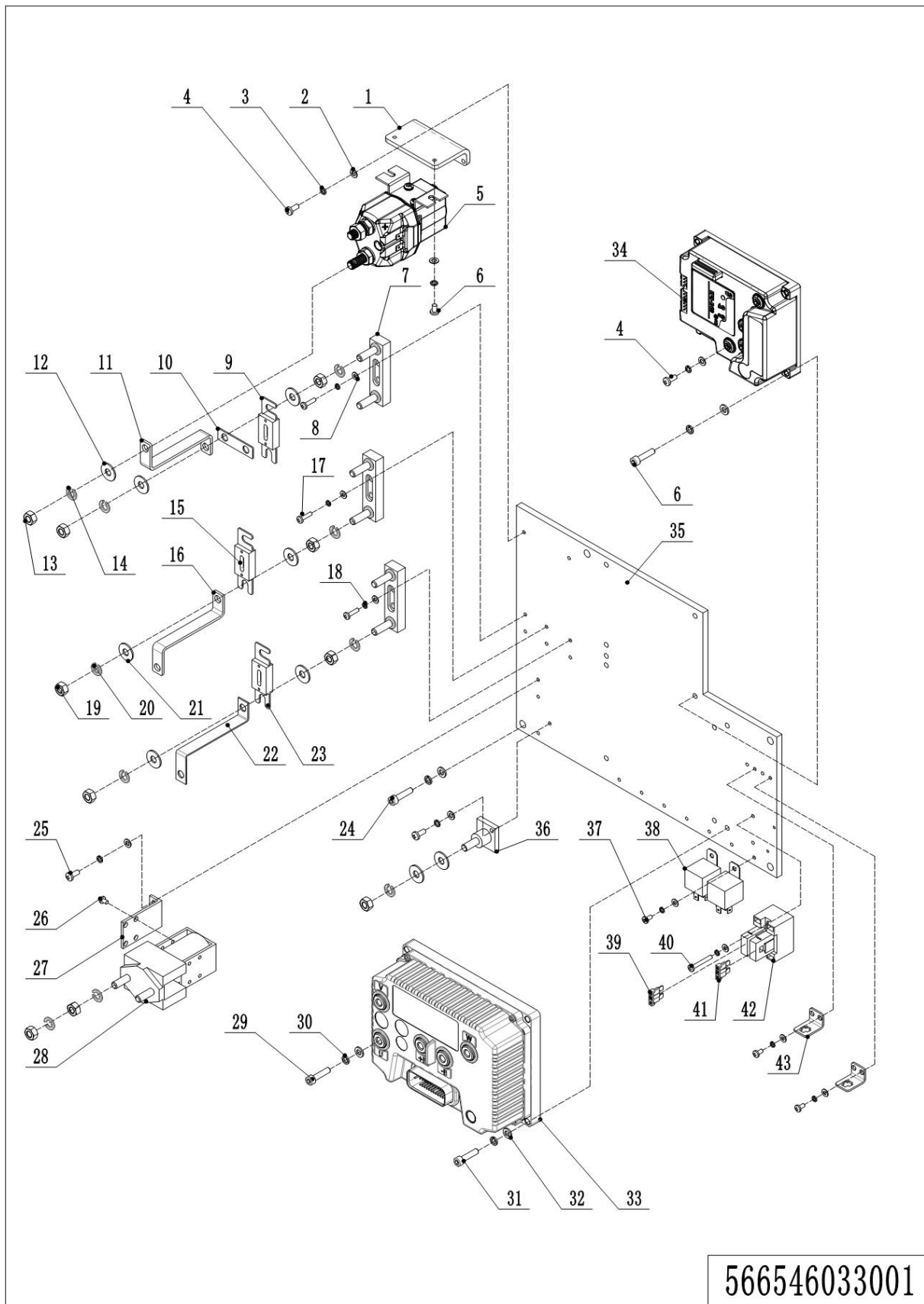


566546033001

01 Electronic control components (566546033001)

No.	Item Code	Mark	Item Description	Qty.	Substitute	Note
1	921300400010		Holder	1		
2	910400100004	1	Flat Washer	8		
3	910400500004	1	Spring Washer	8		
4	910200500038	1	Screw	6		
5	920700100015		Contactactor	1		
6	910200500036	1	Screw	2		
7	920100400002		Fuse Holder	2		
8	910400100003	1	Flat Washer	18		
9	920100100008		Fuse	1		
10	506233020004		Copper Busbar	1		
11	566533020002		Copper Busbar	1		
12	910400100007	1	Flat Washer	2		
13	910300100007	1	Nut	4		
14	910400500007	1	Spring Washer	4		
15	920100100013		Fuse	1		
16	506233020001		Copper Busbar	1		
17	910200500024	1	Screw	6		
18	910400500003	1	Spring Washer	18		
19	910300100006	1	Nut	16		
20	910400500006	1	Spring Washer	17		
21	910400100006	1	Flat Washer	18		
22	535933020004		Copper Busbar	1		
23	920100100001		Fuse	1		
24	910200200055	1	Screw	4		
25	910200500022	1	Screw	4		
26	910200500020	1	Screw	2		
27	921300400004		Holder	1		
28	920700100002		Contactactor	1		
29	910200200039	1	Screw	5		
30	910400500005	1	Spring Washer	13		

01 Electronic control components (566546033001) (Continuation)



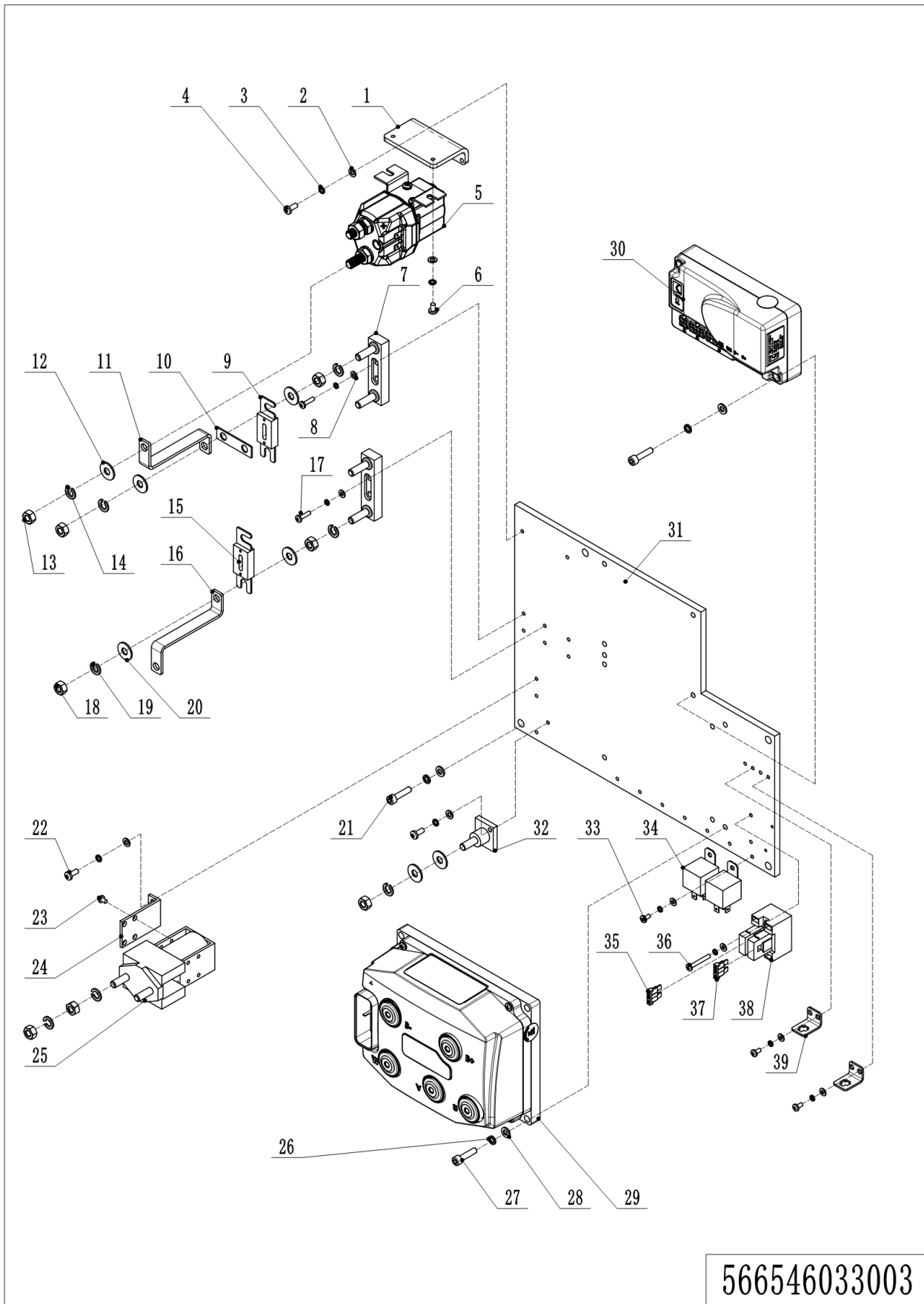
01 Electronic control components (566546033001)(Continuation)

No.	Item Code	Mark	Item Description	Qty.	Substitute	Note
31	910200200038	1	Screw	8		
32	910400100005	1	Flat Washer	13		
33	921400100026		Controller	1		
34	921400100030		Controller	1		
35	566533020001		Plate	1		
36	920100400001		Fuse Holder	1		
37	910200500034	1	Screw	2		
38	920800100011		Relay	2		
39	920100200003		Fuse	1		
40	910200500028	1	Screw	2		
41	920100200002		Fuse	1		
42	920100400005		Fuse Holder	1		
43	921300300002		Holder	2		

02 Wiring Harness (566546033002)

No.	Item Code	Mark	Item Description	Qty.	Substitute	Note
1	566533010012		Wiring Harness	1		
1	566533010025		Wiring Harness	1		For Li-battery
2	566533010010		Wiring Harness	1		
3	566533010011		Wiring Harness	1		
4	566533010009		Wiring Harness	1		
5	566533010017		Wiring Harness	1		
6	566533010016		Wiring Harness	1		
7	566533010008		Wiring Harness	1		
8	566533010014		Wiring Harness	1		
9	566533010013		Wiring Harness	1		
10	566533010006		Wiring Harness	1		
11	566533010005		Wiring Harness	1		
12	566533010007		Wiring Harness	1		
13	566533010022		Wiring Harness	1		
13	566533010000		Wiring Harness	1		Platform lifting
14	566533010002		Wiring Harness	1		Platform lifting
14	566533010027		Wiring Harness	1		

03 Electronic control components (566546033003) 20 CE Platform lifting



03 Electronic control components (566546033003)20 CE Platform lifting

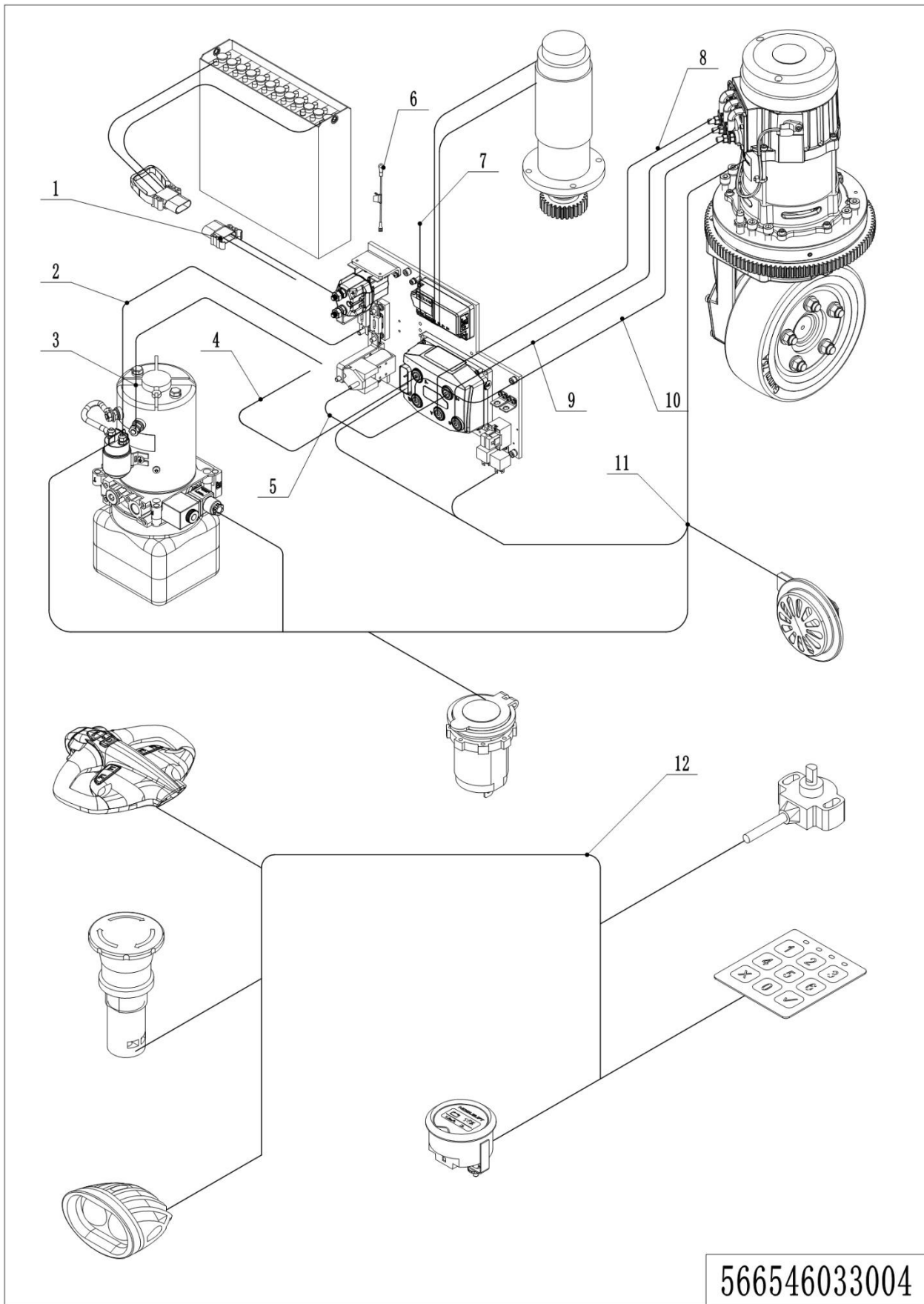
No.	Item Code	Mark	Item Description	Qty.	Substitute	Note
1	921300400010		Holder	1		
2	910400100004	1	Flat Washer	4		
3	910400500004	1	Spring Washer	4		
4	910200500038	1	Screw	2		
5	920700100015		Contactactor	1		
6	910200500036	1	Screw	2		
7	920100400002		Fuse Holder	2		
8	910400100003	1	Flat Washer	16		
9	920100100008		Fuse	1		
10	506233020004		Copper Busbar	1		
11	566533020002		Copper Busbar	1		
12	910400100007	1	Flat Washer	2		
13	910300100007	1	Nut	4		
14	910400500007	1	Spring Washer	4		
15	920100100013		Fuse	1		
16	506233020001		Copper Busbar	1		
17	910200500024	1	Screw	4		
18	910300100006	1	Nut	8		
19	910400500006	1	Spring Washer	12		
20	910400100006	1	Flat Washer	11		
21	910200200055	1	Screw	4		
22	910200500022	1	Screw	4		
23	910200500020	1	Screw	2		
24	921300400004		Holder	1		
25	920700100002		Contactactor	1		
26	910400500005	1	Spring Washer	6		
27	910200200038	1	Screw	6		
28	910400100005	1	Flat Washer	6		
29	921400100183		Controller	1		
30	921400100077		Controller	1		

03 Electronic control components (566546033003)20 CE Platform lifting

(Continuation)

No.	Item Code	Mark	Item Description	Qty.	Substitute	Note
31	566533020003		Plate	1		
32	920100400001		Fuse Holder	1		
33	910200500034	1	Screw	6		
34	920800100011		Relay	2		
35	920100200003		Fuse	1		
36	910200500028	1	Screw	2		
37	920100200002		Fuse	1		
38	920100400005		Fuse Holder	1		
39	921300300002		Holder	2		

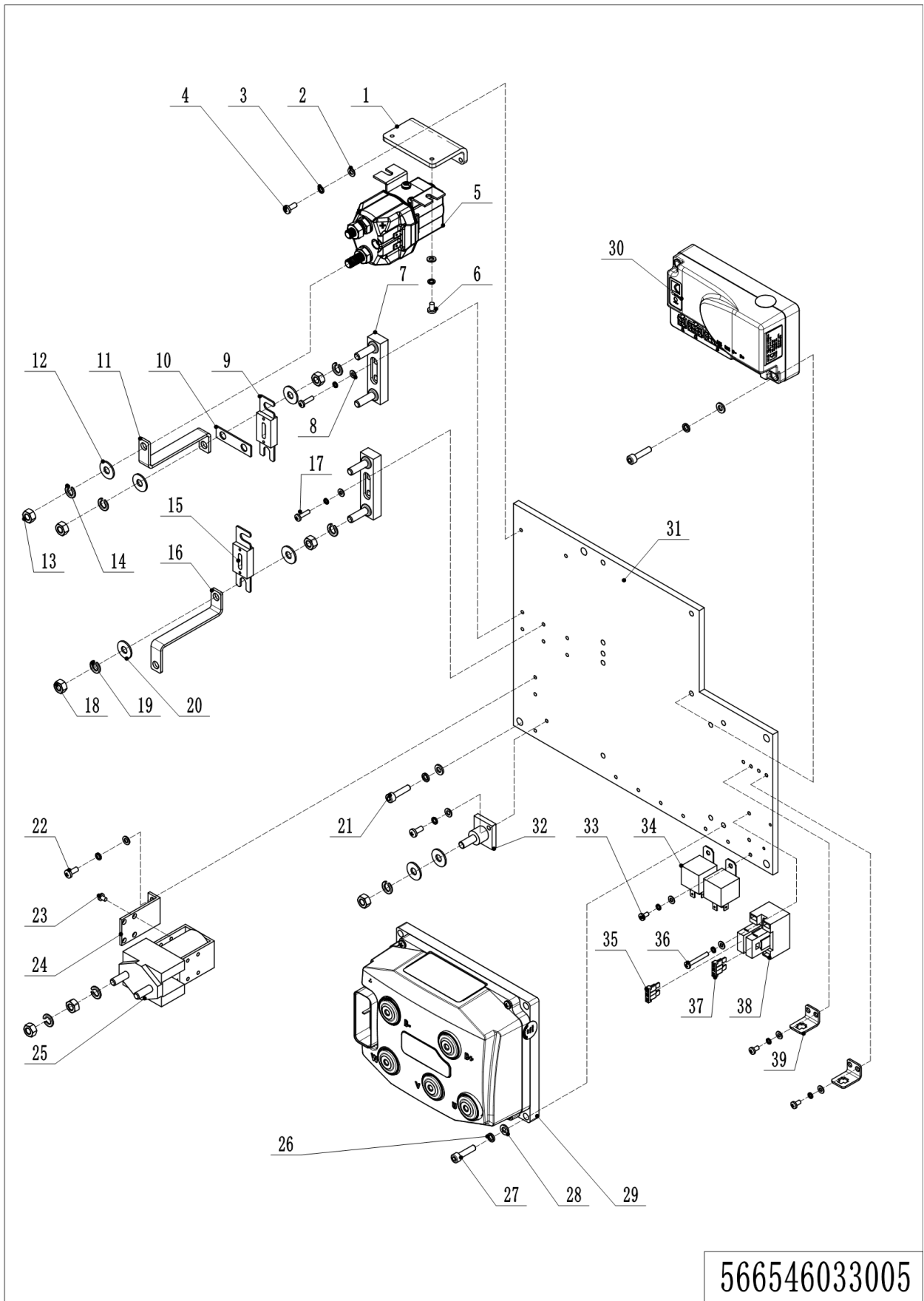
04 Wiring Harness (566546033004) 20 CE Platform lifting



04 Wiring Harness (566546033004) 20 CE Platform lifting

No.	Item Code	Mark	Item Description	Qty.	Substitute	Note
1	567433010115		Wiring Harness	1		
1	567433010116		Wiring Harness	1		For Li-battery
2	566533010010		Wiring Harness	1		
3	566533010011		Wiring Harness	1		
4	566533010017		Wiring Harness	1		
5	567733010110		Wiring Harness	1		
6	568333010035		Wiring Harness	1		
7	567733010109		Wiring Harness	1		
8	566533010105		Wiring Harness	1		
9	566533010104		Wiring Harness	1		
10	566533010106		Wiring Harness	1		
11	566533010101		Wiring Harness	1		
12	566533010102		Wiring Harness	1		

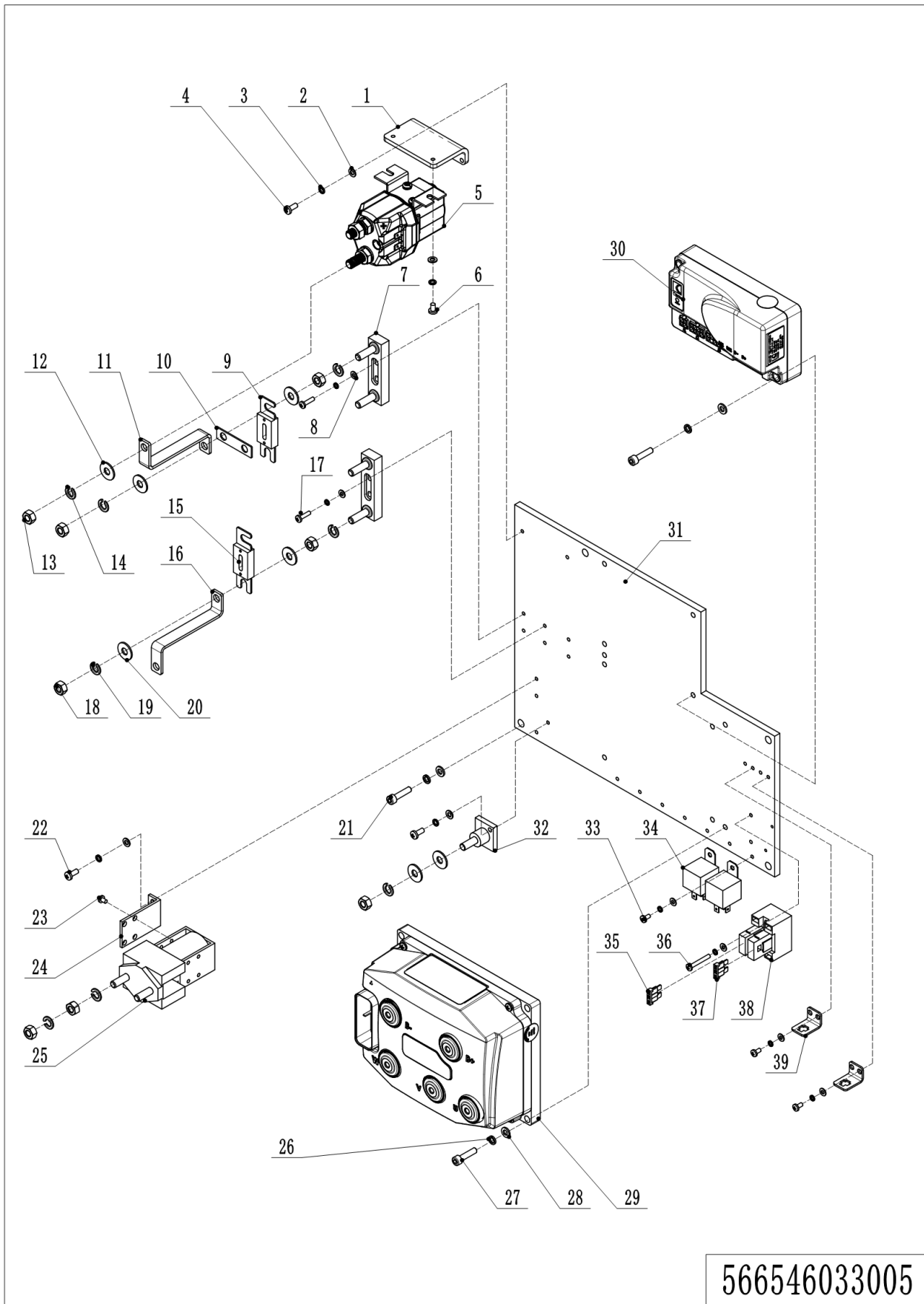
05 Electronic control components (566546033005) 20 CE Platform lifting



05 Electronic control components (566546033005)20 CE Platform lifting

No.	Item Code	Mark	Item Description	Qty.	Substitute	Note
1	921300400010		Holder	1		
2	910400100004	1	Flat Washer	4		
3	910400500004	1	Spring Washer	4		
4	910200500038	1	Screw	2		
5	920700100015		Contactactor	1		
6	910200500036	1	Screw	2		
7	920100400002		Fuse Holder	2		
8	910400100003	1	Flat Washer	16		
9	920100100008		Fuse	1		
10	506233020004		Copper Busbar	1		
11	566533020002		Copper Busbar	1		
12	910400100007	1	Flat Washer	2		
13	910300100007	1	Nut	4		
14	910400500007	1	Spring Washer	4		
15	920100100013		Fuse	1		
16	506233020001		Copper Busbar	1		
17	910200500024	1	Screw	4		
18	910300100006	1	Nut	8		
19	910400500006	1	Spring Washer	12		
20	910400100006	1	Flat Washer	11		
21	910200200055	1	Screw	4		
22	910200500022	1	Screw	4		
23	910200500020	1	Screw	2		
24	921300400004		Holder	1		
25	920700100002		Contactactor	1		
26	910400500005	1	Spring Washer	6		
27	910200200038	1	Screw	6		
28	910400100005	1	Flat Washer	6		
29	921400100183		Controller	1		
30	921400100077		Controller	1		

05 Electronic control components (566546033005) (Continuation)

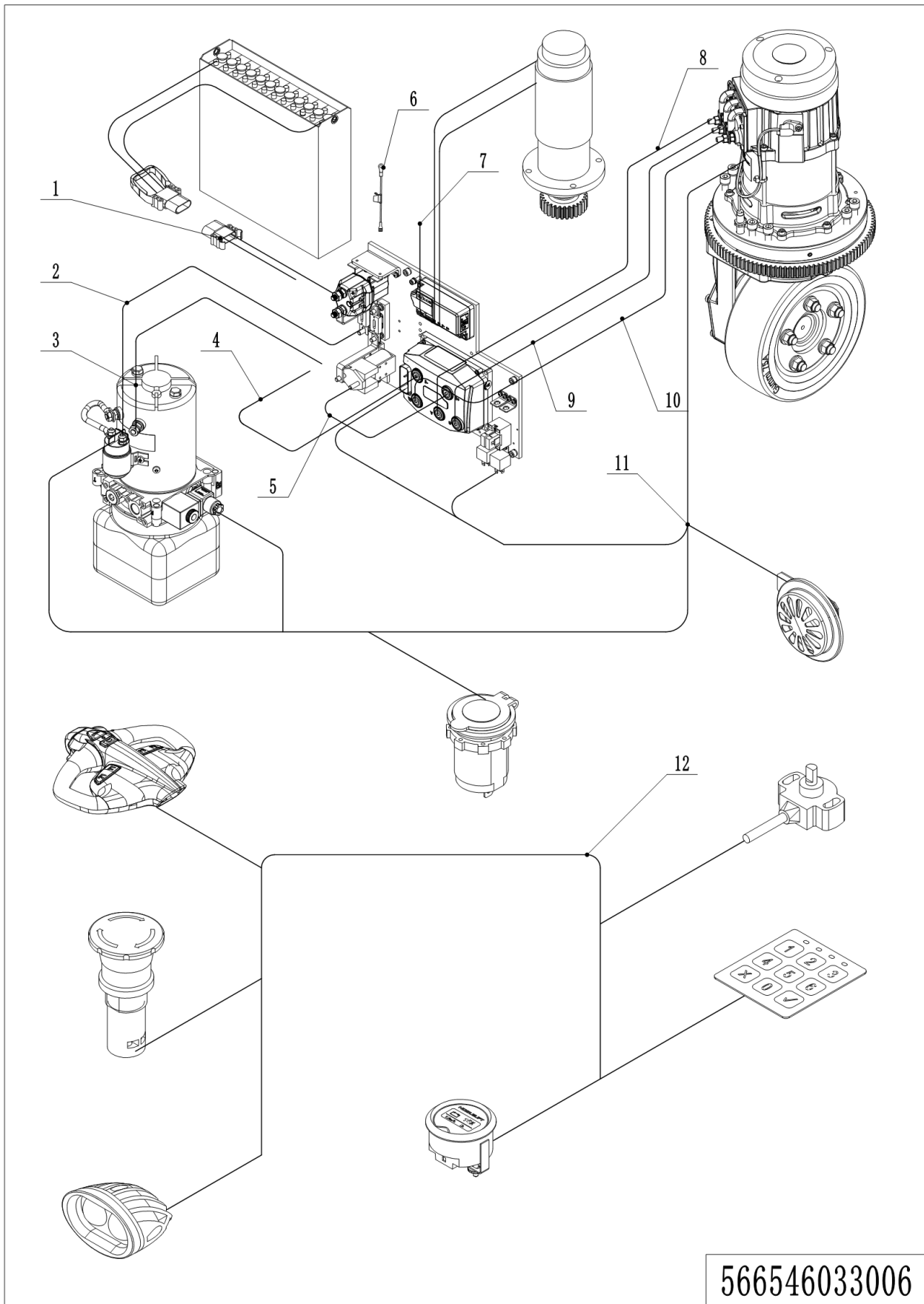


566546033005

05 Electronic control components (566546033005) (Continuation)

No.	Item Code	Mark	Item Description	Qty.	Substitute	Note
31	566533020003		Plate	1		
32	920100400001		Fuse Holder	1		
33	910200500034	1	Screw	6		
34	920800100011		Relay	2		
35	920100200003		Fuse	1		
36	910200500028	1	Screw	2		
37	920100200002		Fuse	1		
38	920100400005		Fuse Holder	1		
39	921300300002		Holder	2		

06 Wiring Harness (566546033006) 20 CE

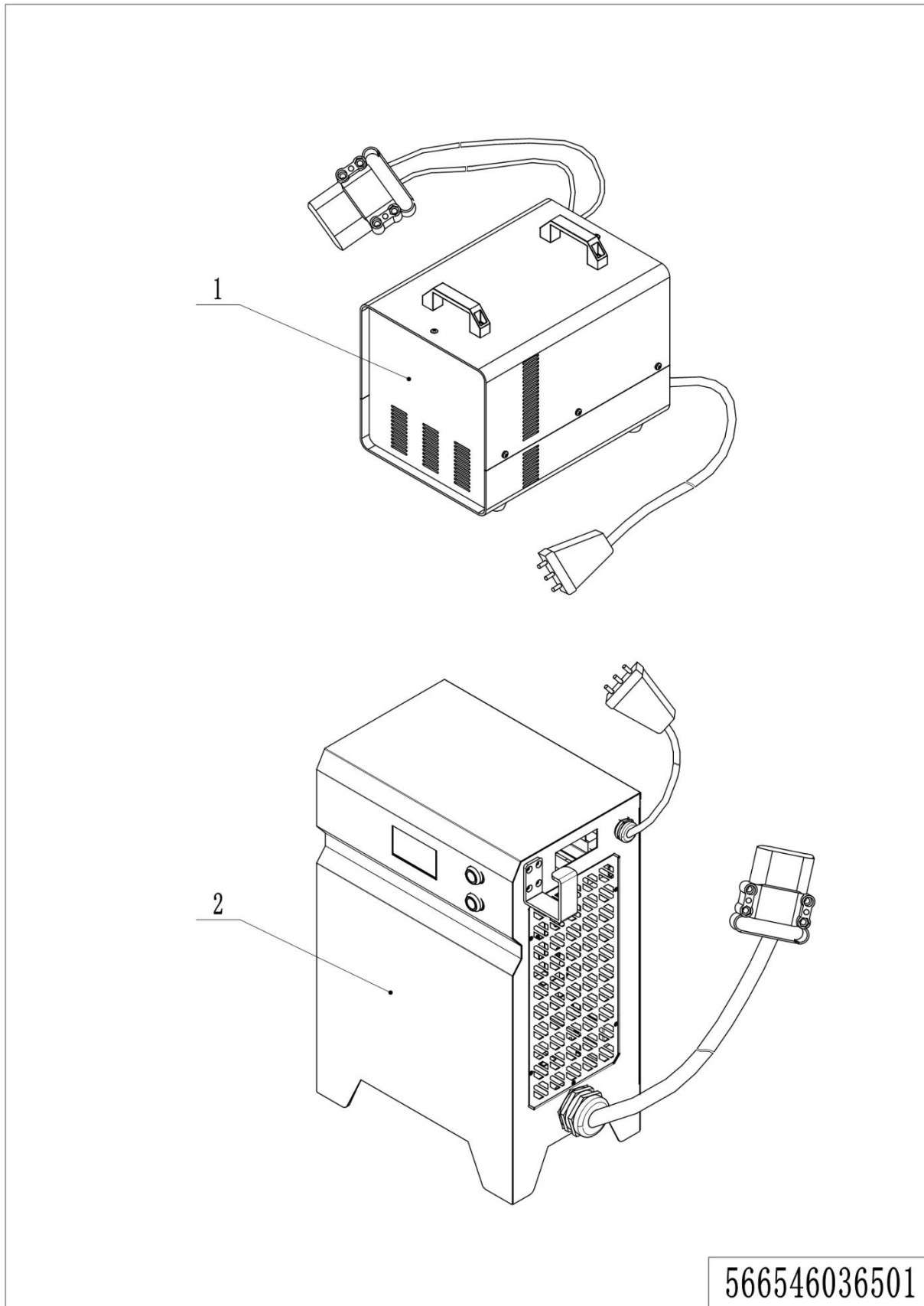


566546033006

06 Wiring Harness (566546033006)20 CE

No.	Item Code	Mark	Item Description	Qty.	Substitute	Note
1	567433010115		Wiring Harness	1		
1	567433010116		Wiring Harness	1		For Li-battery
2	566533010010		Wiring Harness	1		
3	566533010011		Wiring Harness	1		
4	566533010017		Wiring Harness	1		
5	567733010110		Wiring Harness	1		
6	568333010035		Wiring Harness	1		
7	567733010109		Wiring Harness	1		
8	566533010105		Wiring Harness	1		
9	566533010104		Wiring Harness	1		
10	566533010106		Wiring Harness	1		
11	566533010101		Wiring Harness	1		
12	566533010112		Wiring Harness	1		

07 Charger (566546036501)



07 Charger (566546036501)

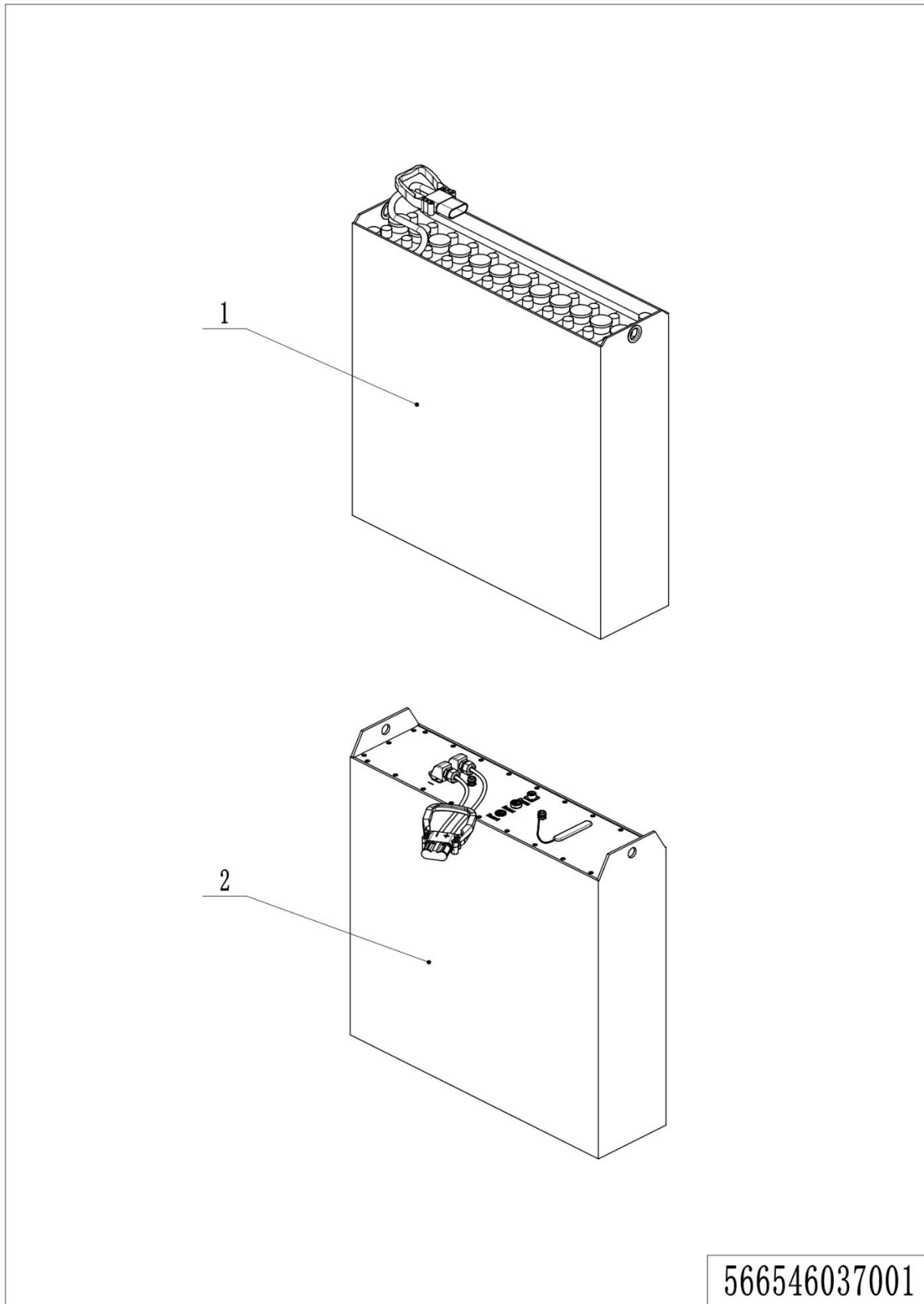
No.	Item Code	Mark	Item Description	Qty.	Substitute	Note
1	921000200073	2	Charger24V60A(Aisa-CHN)	1		
1	921000200074	2	Charger24V60A(Aisa-ENG)	1		
1	921000200075	2	Charger24V60A(EU)	1		
1	921000200076	2	Charger24V60A(ENG)	1		
1	921000200077	2	Charger24V60A(AUS)	1		
1	921000200078	2	Charger24V60A(USA)	1		
1	921000200602	2	Charger 24V60A(ISR)	1		
1	921000200608	2	Charger 24V60A(BR)	1		
2	921000200747		Li-Charger24V150A(Aisa-CHN)	1		3P4W 380V
2	921000200437		Li-Charger24V150A(Aisa-CHN)	1		3P5W 380V
2	921000200748		Li-Charger24V150A(Aisa-ENG)	1		3P4W 380V
2	921000200714		Li-Charger24V150A(EU)	1		3P4W 380V
2	921000200483		Li-Charger24V150A(EU)	1		3P5W 380V
2	921000200698		Li-Charger24V150A(USA)	1		3P4W 220V
2	921000200715		Li-Charger24V150A(USA)	1		3P4W 480V

Note:

3P4W stand for Three-phase four wire system.

3P5W stand for Three-phase five wire system.

08 Traction Battery (566546037001)



566546037001

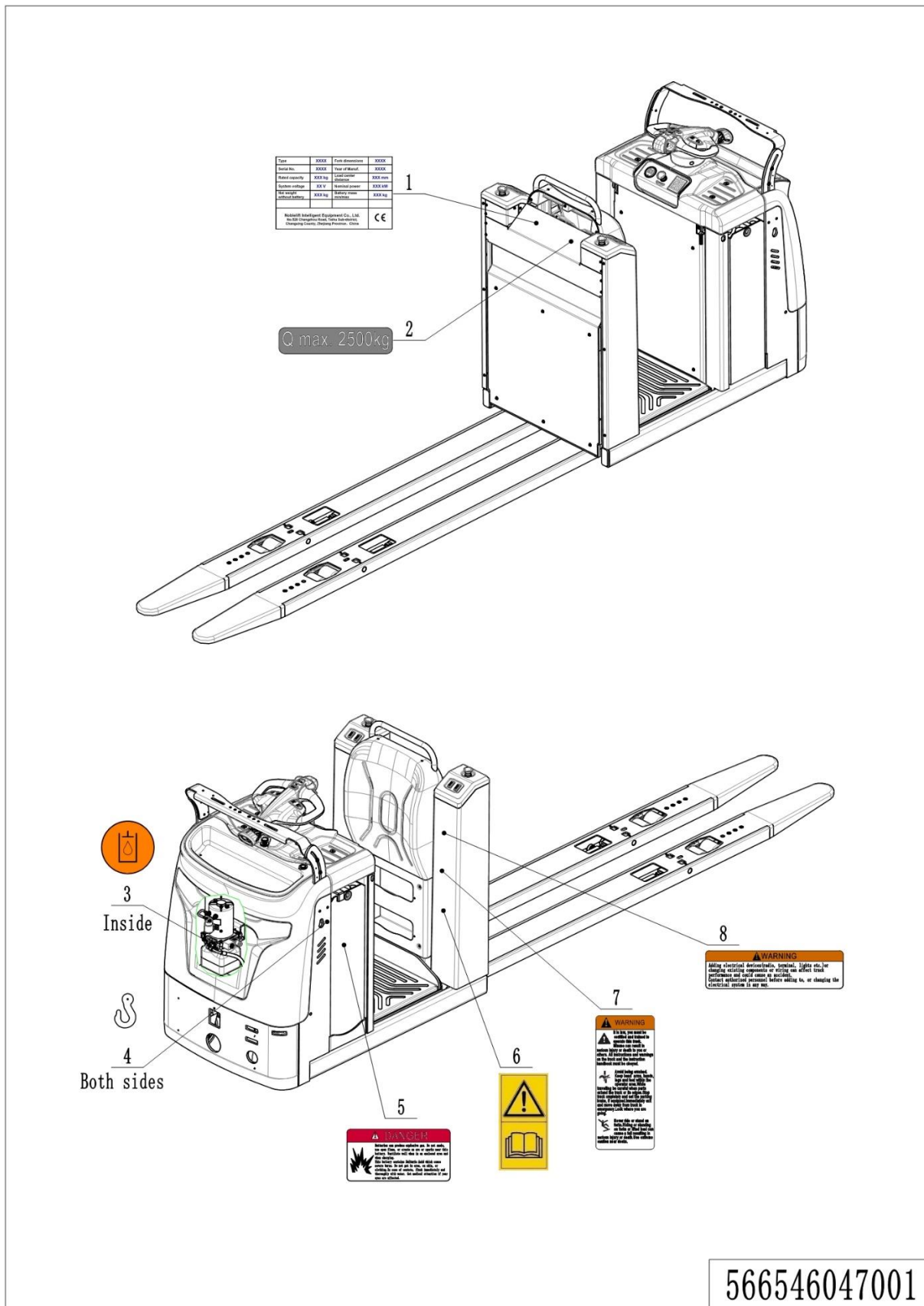
08 Traction Battery (566546037001)

No.	Item Code	Mark	Item Description	Qty.	Substitute	Note
1	567437010000		Lead-acid battery 24V375Ah	1		
1	566537010000		Lead-acid battery 24V465Ah	1		
1	567437001050		Lead-acid battery 24V375Ah (with ERD)	1		
1	566537001050		Lead-acid battery 24V465Ah (with ERD)	1		
2	920600100350		Li Battery 24V300Ah	1		

Note: ERD stands for Electrolyte Replenishing Device for lead-acid battery.

Chapter 6: Others

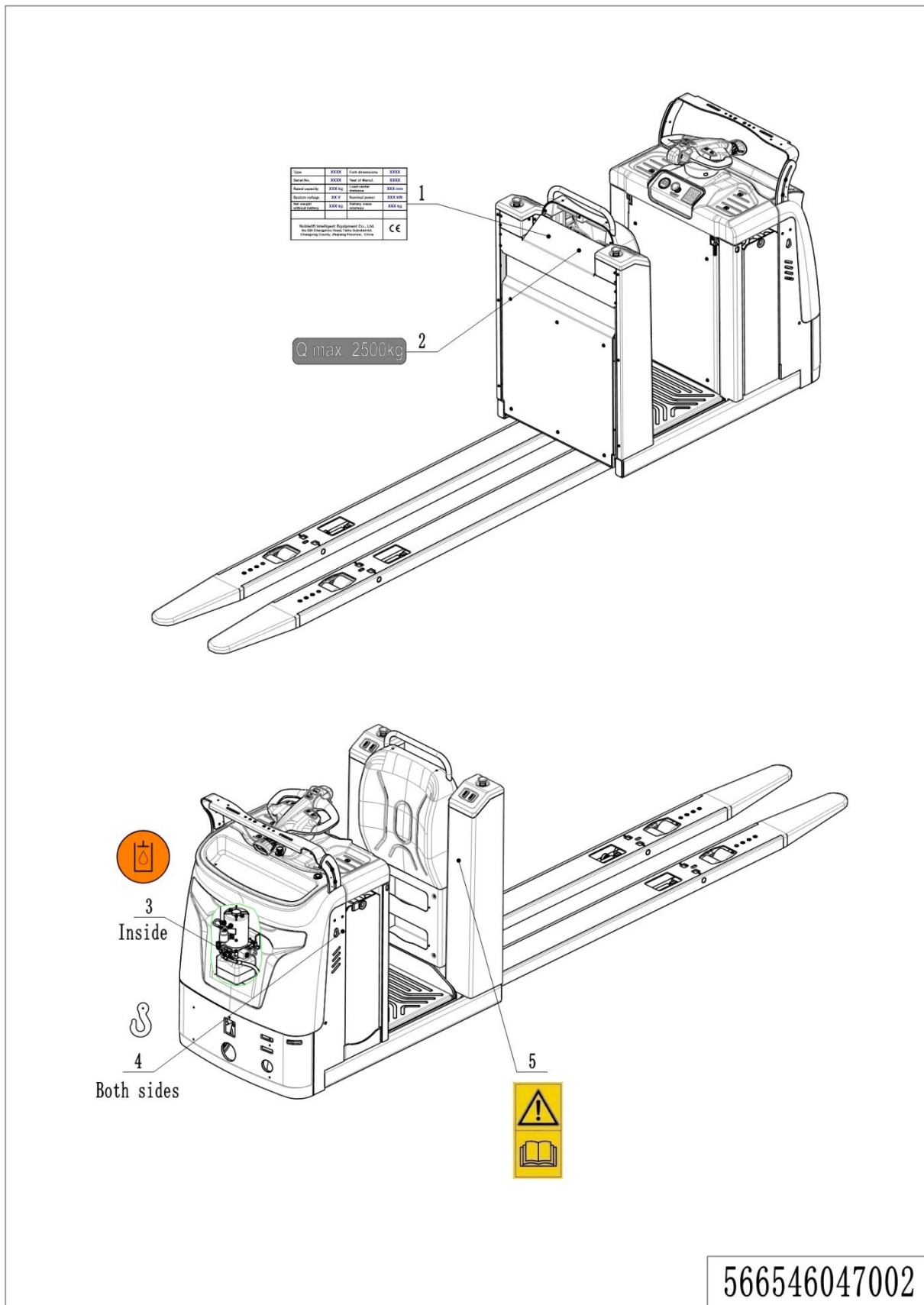
01 Labels and decals (US) (566546047001)



Labels and decals (US) (566546047001)

No.	Item Code	Mark	Item Description	Qty.	Substitute	Note
1	566547520003		Truck data plate	1		
2	941200200011		Label	1		
3	941200300003		Label	1		
4	941200300001		Label	2		
5	941200100013		Label	1		
6	941200300002		Label	1		
7	941200100009		Label	1		
8	941200100010		Label	1		

02 Labels and decals (EU) (566546047002)

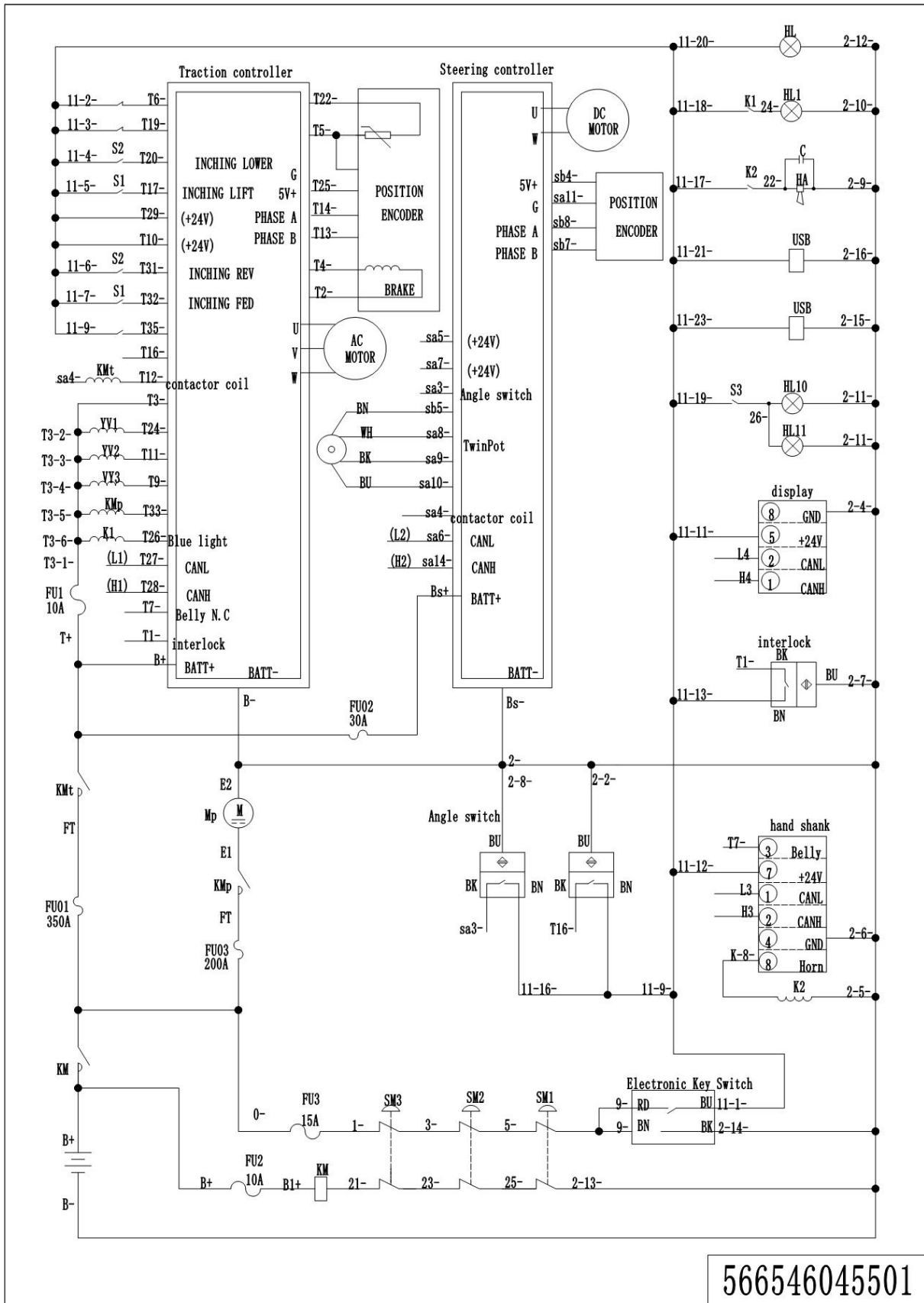


02 Labels and decals (EU) (566546047002)

No.	Item Code	Mark	Item Description	Qty.	Substitute	Note
1	566547520003		Truck data plate	1		
2	941200200011		Label	1		
3	941200300003		Label	1		
4	941200300001		Label	2		
5	941200300002		Label	1		

Appendix

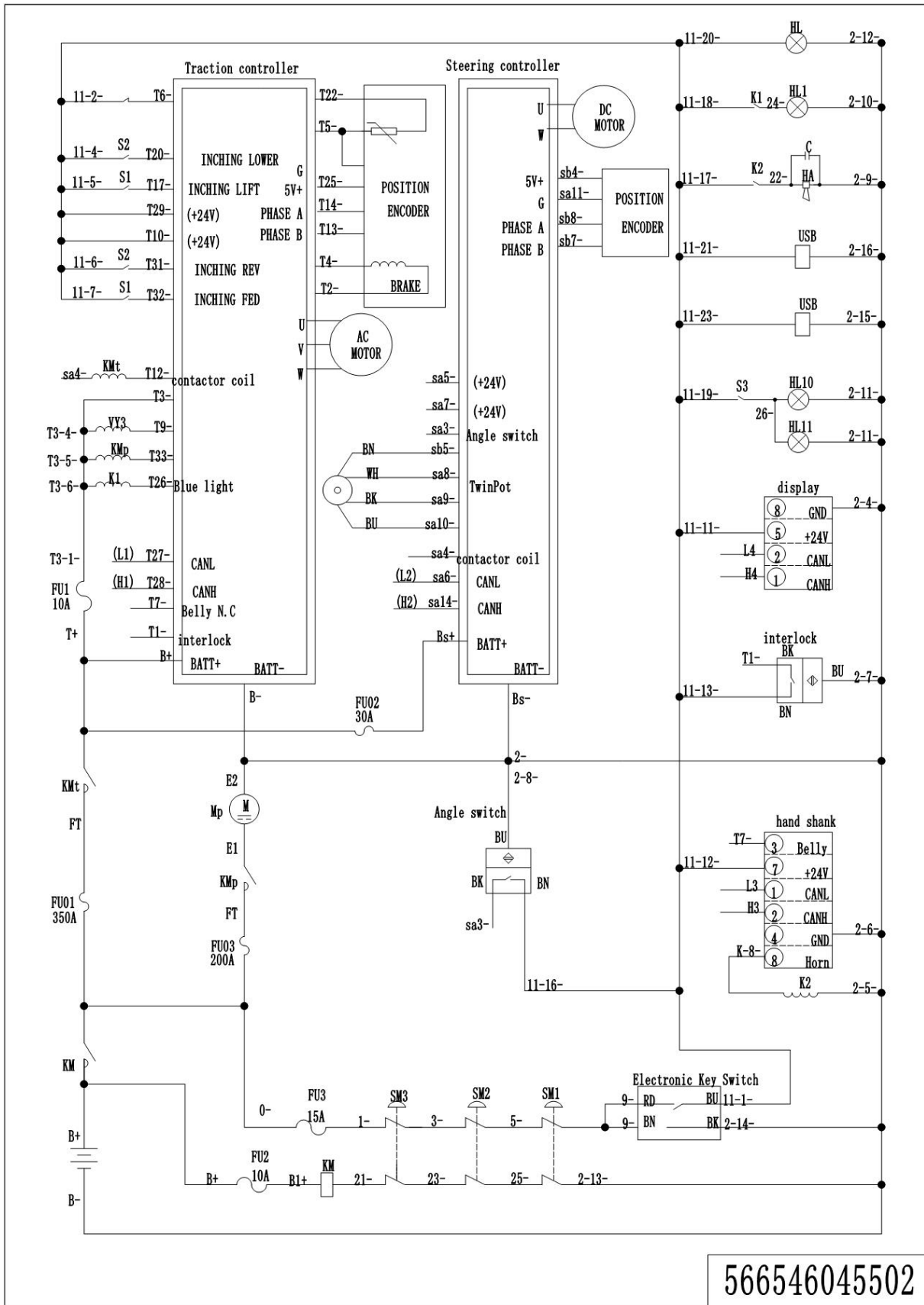
01 Electrical Circuit Diagram - standard (566546045501)



566546045501

1= Supply as package. 2= Supply with constraints. 3= Phasing-out supply. 4= Supply as assembly. 5= Check other tables.

02 Electrical Circuit Diagram - optional (566546045502)

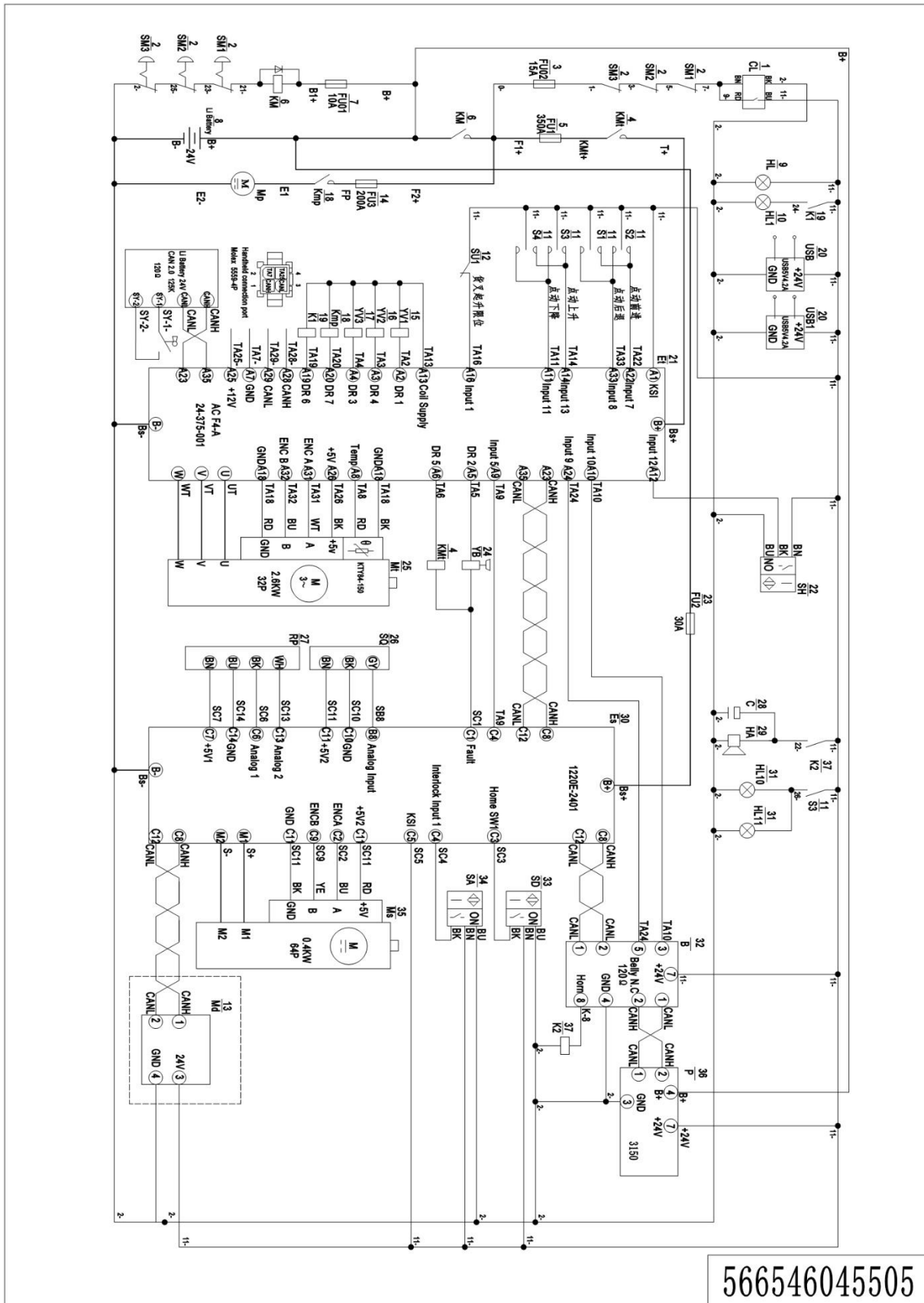


566546045502

1= Supply as package. 2= Supply with constraints. 3= Phasing-out supply. 4= Supply as assembly. 5= Check other tables.

03 Electrical Circuit Diagram – standard (Lithium battery) (566546045505) 20

CE

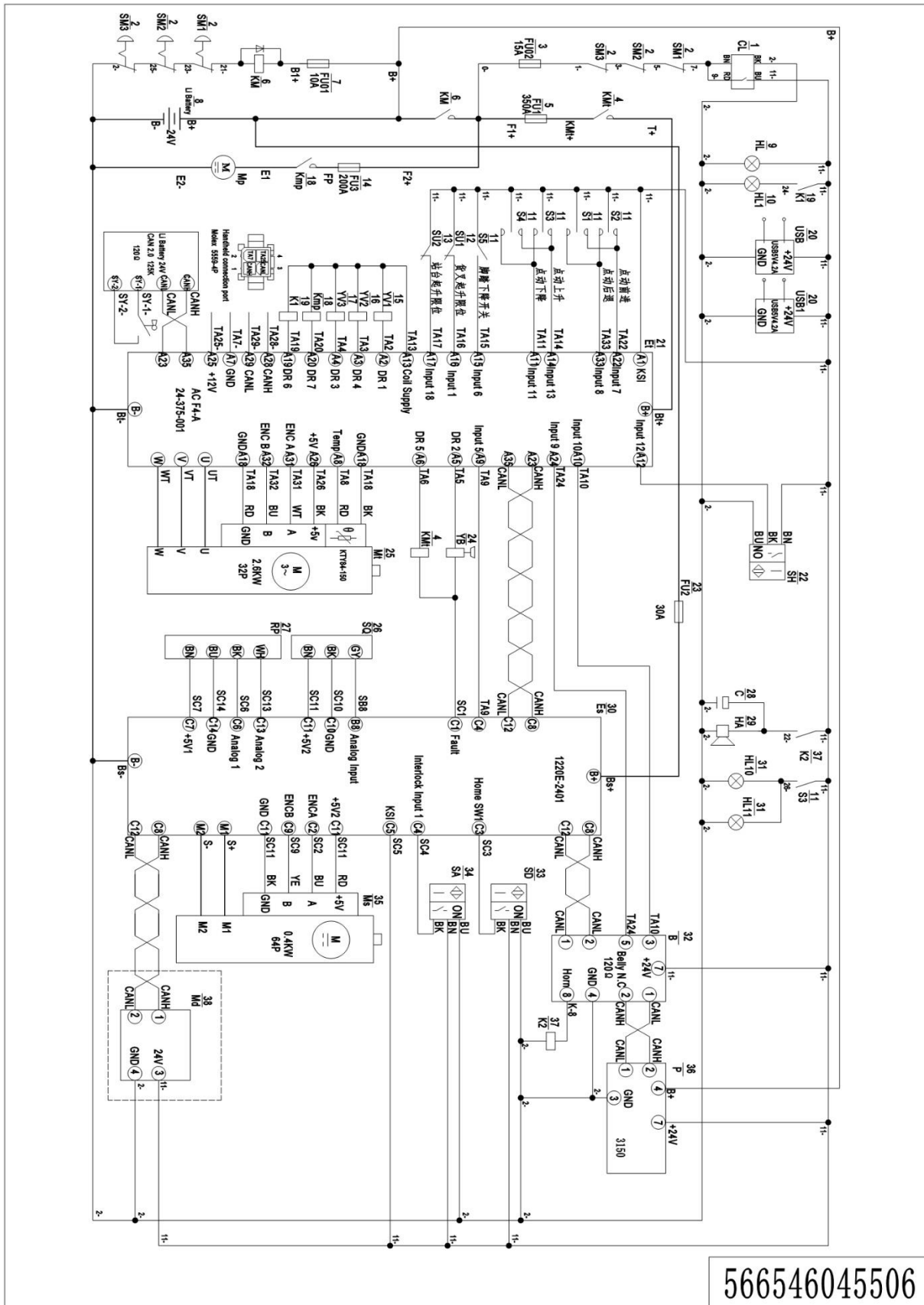


566546045505

1= Supply as package. 2= Supply with constraints. 3= Phasing-out supply. 4= Supply as assembly. 5= Check other tables.

04 Electrical Circuit Diagram – optional (Lithium battery) (566546045506)

20 CE

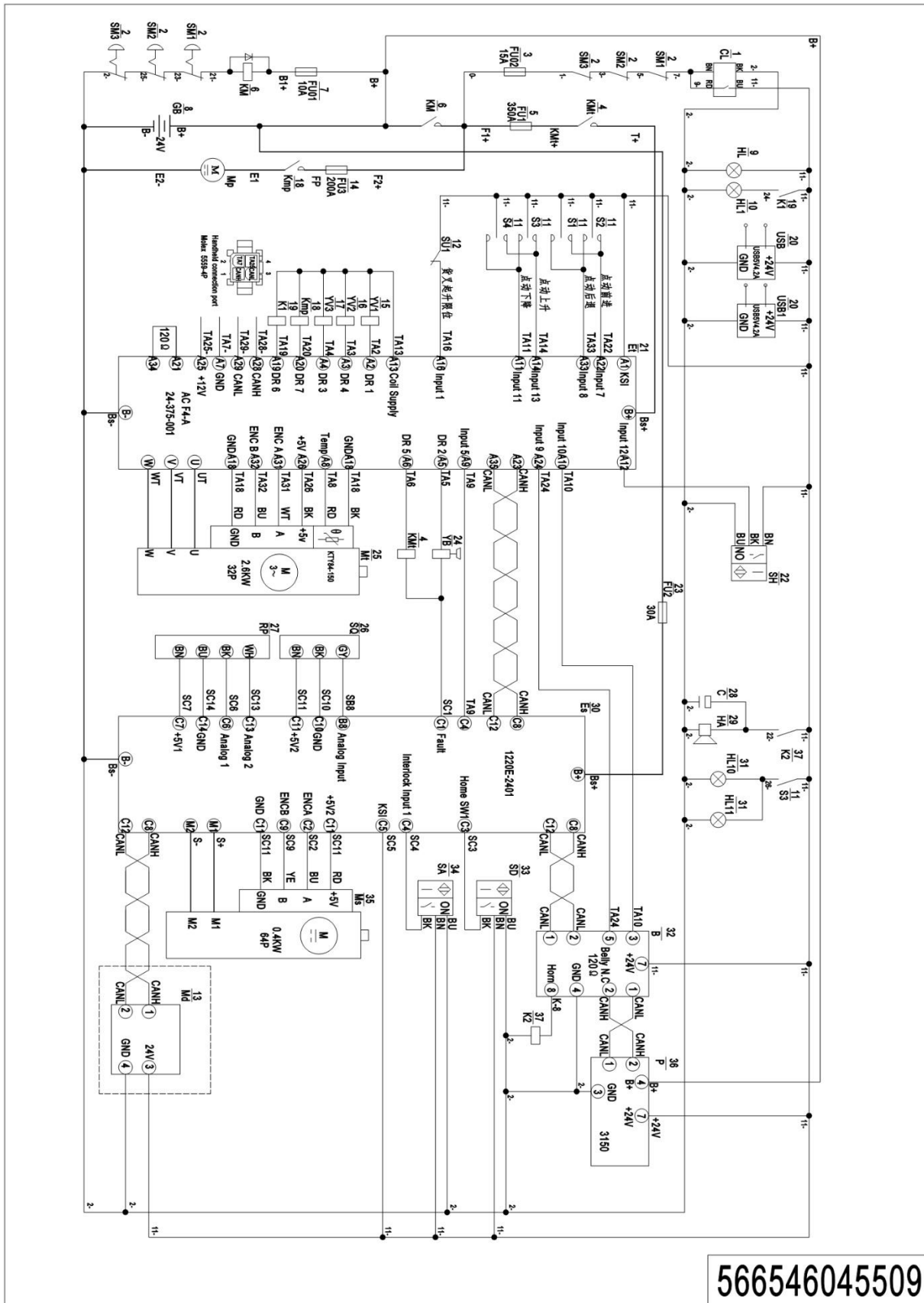


566546045506

1= Supply as package. 2= Supply with constraints. 3= Phasing-out supply. 4= Supply as assembly. 5= Check other tables.

05 Electrical Circuit Diagram – standard (Lead-acid battery) (566546045509)

20 CE

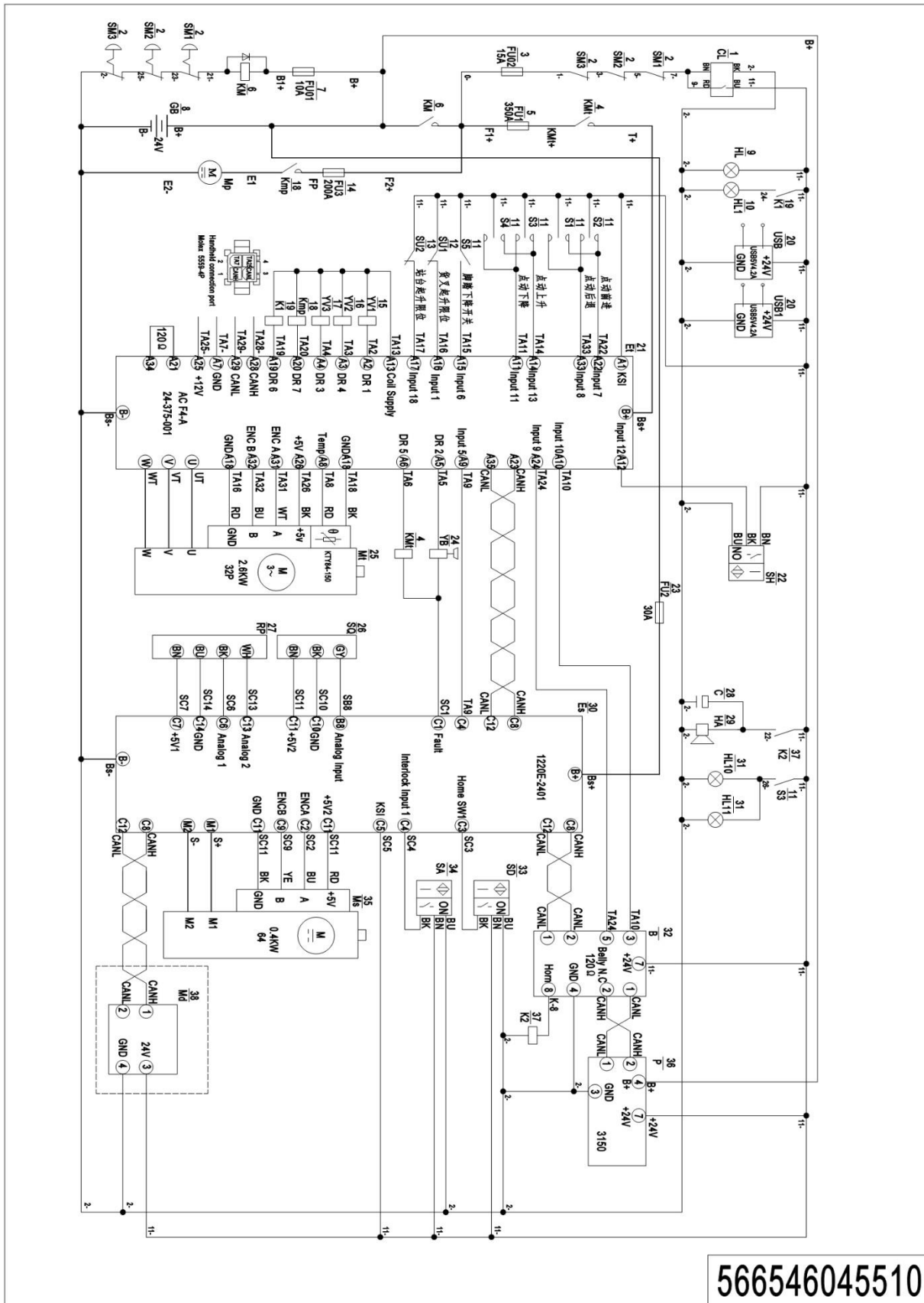


566546045509

1= Supply as package. 2= Supply with constraints. 3= Phasing-out supply. 4= Supply as assembly. 5= Check other tables.

06 Electrical Circuit Diagram - optional (Lead-acid battery) (566546045510)

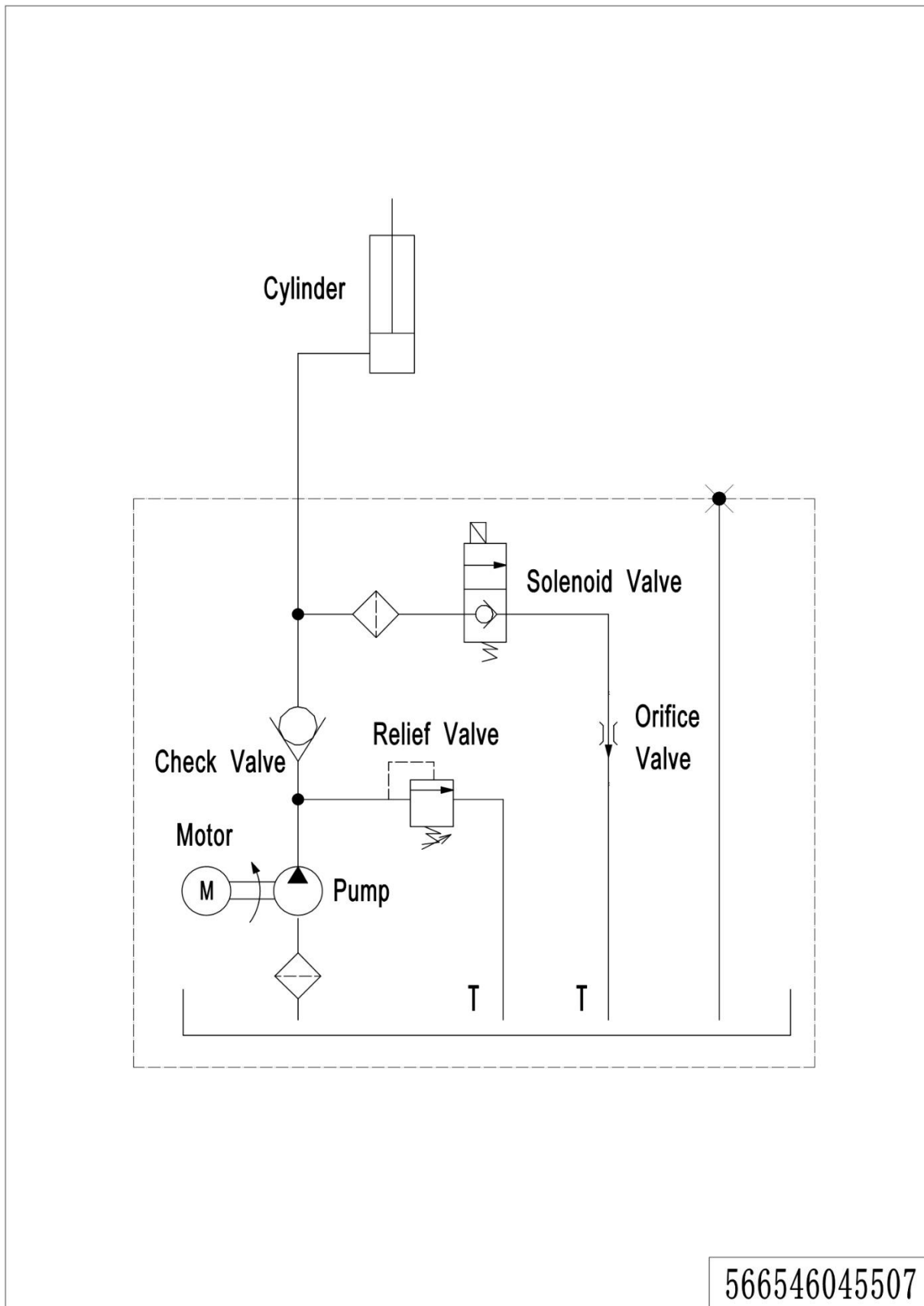
20 CE



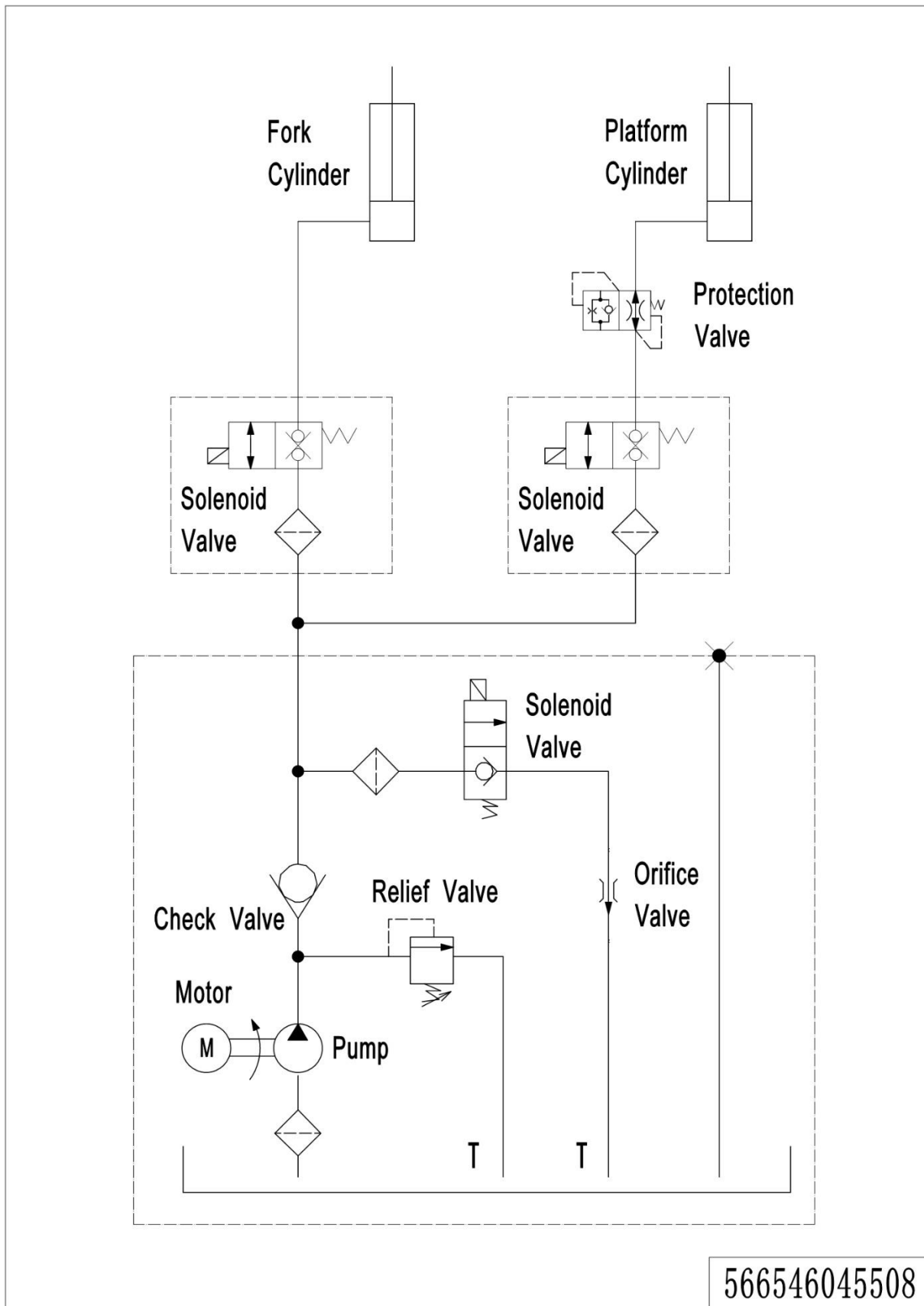
566546045510

1= Supply as package. 2= Supply with constraints. 3= Phasing-out supply. 4= Supply as assembly. 5= Check other tables.

07 Hydraulic Circuit Diagram - standard (566546045507)



08 Hydraulic Circuit Diagram - optional (566546045508)



09 Consumable Parts List

No.	Item Code	Item Description	Qty.	Chapter/ Section/ Number
1	940300400002	WheelΦ250x82	1	Chapter 1/01/7
2	505798510001	Seal Kit	1	Chapter 2/01/15、Chapter 2/03/30
3	566598510000	Seal Kit	1	Chapter 203/29
4	505798510013	Carbon Brush	4	Chapter 2/02/24、Chapter 2/04/24
5	566521520097	Bumper Rail	1	Chapter 3/01/26、Chapter 3/02/22
6	920200300001	Microswitch	2、 1	Chapter 3/01/34、Chapter 3/02/33
7	920200100021	Emergency Button	3	Chapter 3/03/05、Chapter 4/01/27
8	566598510002	Wheel Kit	1	Chapter 3/06/15
9	940500100012	Bushing	4	Chapter 3/07/12
10	940500200042	Bushing	16	Chapter 3/07/13
11	506238520041	Running Pulley	8	Chapter 3/07/22. 3
12	940500200040	Bushing	4	Chapter 3/07/27
13	566598510003	Wheel Kit	2	Chapter 3/07/30
14	566598510004	Wheel Kit	2	Chapter 3/07/35
15	231033010020	Beacon(Light)	1	Chapter 3/08/3. 1
16	231033010021	Beacon(Sound and Light)	1	Chapter 3/08/3. 1
17	920100100008	Fuse	1	Chapter 5/01/9、Chapter 5/03/9、 Chapter 5/05/9
18	920100100013	Fuse	1	Chapter 5/01/15、Chapter 5/03/15、 Chapter 5/05/15
19	920100100001	Fuse	1	Chapter 5//01/23
20	920100200003	Fuse	1	Chapter 5/01/39、Chapter 5/03/35、 Chapter 5/05/35
21	920100200002	Fuse	1	Chapter 5/01/41、Chapter 5/03/37、 Chapter 5/05/37